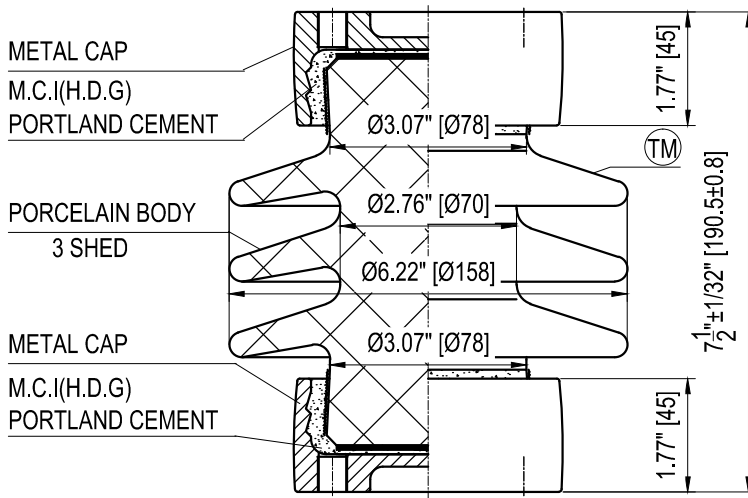
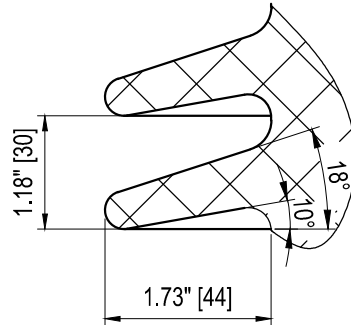
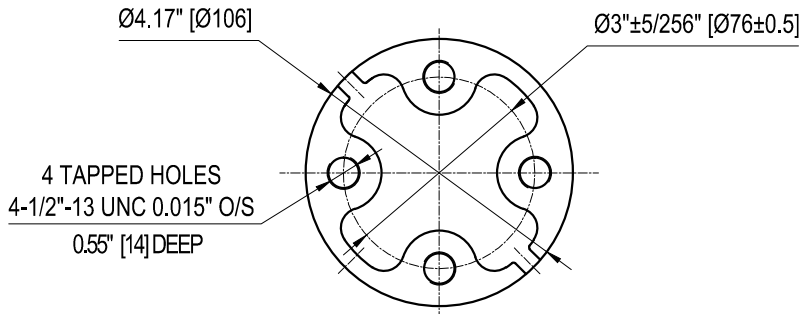
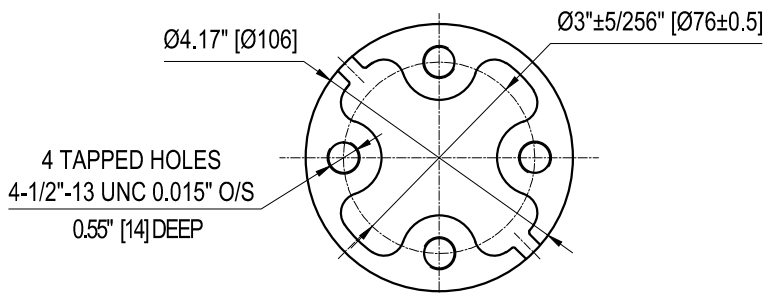


TOP INSTALLATION HOLES



BOTTOM INSTALLATION HOLES



ELECTRICAL PROPERTIES

Critical Impulse Flashover Voltage	
Pos.:	105 kV
Neg.:	120 kV
Low Frequency Withstand Voltage	
Wet:	30 kV
Dry:	36 kV
Impulse Withstand Voltage:	95 kV
Radio Influence Voltage Data:	
Test Voltage to Ground:	5 kV
Maximum RIV at 1000kHz:	50 µV

PHYSICAL PROPERTIES

Creepage Distance:	10.5 in (267 mm)
Net weight:	9.9 lbs (4.5 Kg)
Color:	

MECHANICAL PROPERTIES

Cantilever Strength:	2000 lbs (8.9 kN)
Tension Strength:	8500 lbs (38 kN)
Torsion Strength:	7000 in-lbs (791 N·m)
Compression Strength:	10000 lbs (44.5 kN)

According to Standard Specification: ANSI C 29.9
except drawing

Galvanized parts as per ASTM 123

POST TYPE INSULATOR
REFERENCE: TR202
VTR202SSG0

DRAWING: TR202 VTR202SSG0 RV1



Vanguard Electric (R)
www.vanguardelec.com
sales@vanguardelec.com