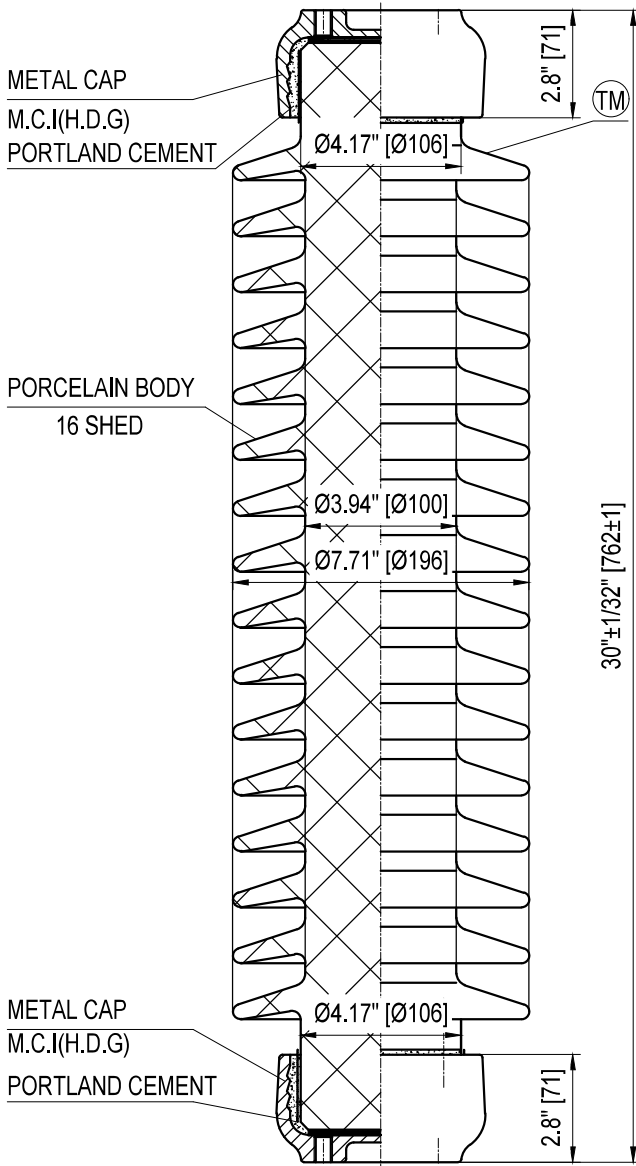
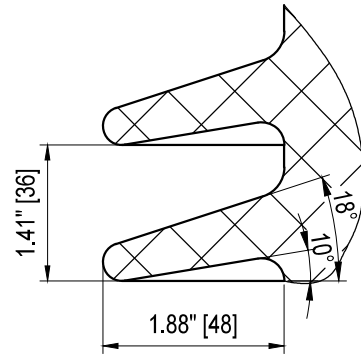
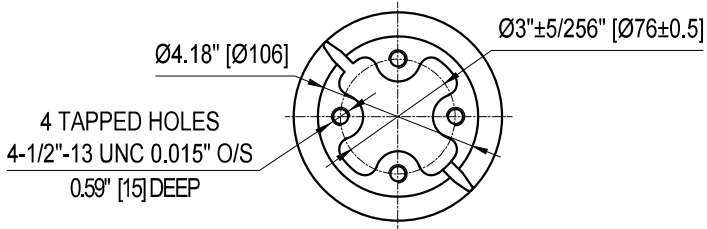
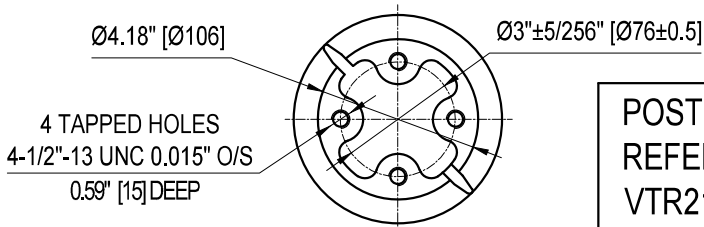


TOP INSTALLATION HOLES



BOTTOM INSTALLATION HOLES



Semi-Conductive Glazed

ELECTRICAL PROPERTIES

Critical Impulse Flashover Voltage	
Pos.:	390 kV
Neg.:	475 kV
Low Frequency Withstand Voltage	
Wet:	145 kV
Dry:	175 kV
Impulse Withstand Voltage:	
350 kV	
Radio Influence Voltage Data:	
Test Voltage to Ground:	44 kV
Maximum RIV at 1000kHz:	200 µV

PHYSICAL PROPERTIES

Creepage Distance:	72 in (1829 mm)
Net weight:	66 lbs (30 Kg)
Color:	-

MECHANICAL PROPERTIES

Cantilever Strength:	1500 lbs (6.7 kN)
Tension Strength:	16000 lbs (72 kN)
Torsion Strength:	15000 in-lbs (1700 N-m)
Compression Strength:	25000 lbs (112 kN)

According to Standard Specification: ANSI C 29.9

Galvanized parts as per ASTM 123

POST TYPE INSULATOR
REFERENCE: TR216
VTR216SSG0-SCG

DRAWING: TR216 VTR216SSG0-SCG RV0



Vanguard Electric (R)
www.vanguardelec.com
sales@vanguardelec.com