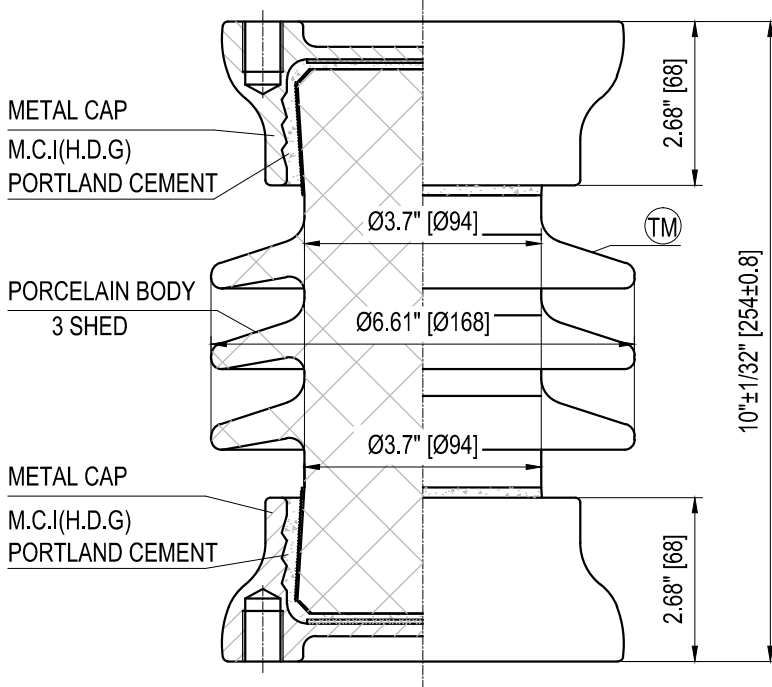
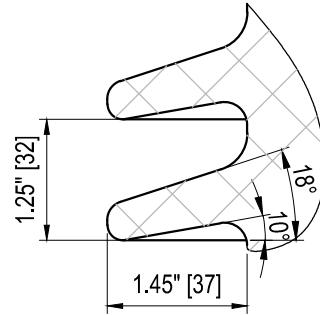
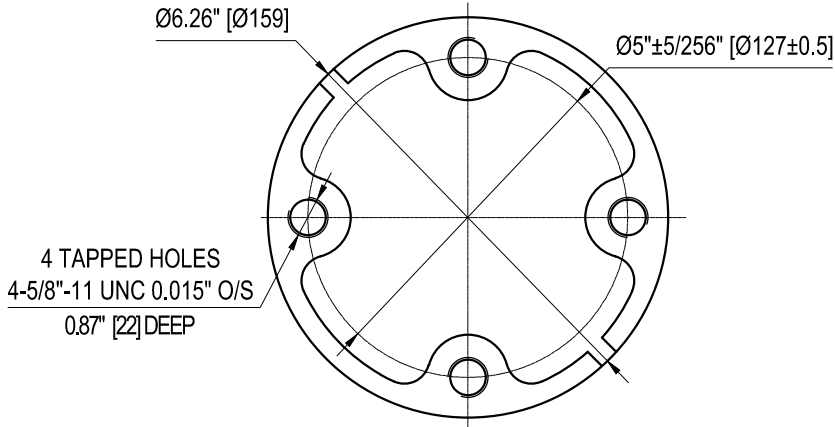


TOP INSTALLATION HOLES



ELECTRICAL PROPERTIES

Critical Impulse Flashover Voltage	
Pos.:	105 kV
Neg.:	120 kV
Low Frequency Withstand Voltage	
Wet:	30 kV
Dry:	36 kV
Impulse Withstand Voltage:	95 kV
Radio Influence Voltage Data:	
Test Voltage to Ground:	5 kV
Maximum RIV at 1000kHz:	50 µV

PHYSICAL PROPERTIES

Creepage Distance:	10.5 in (267 mm)
Net weight:	21.6 lbs (9.8 Kg)
Color:	

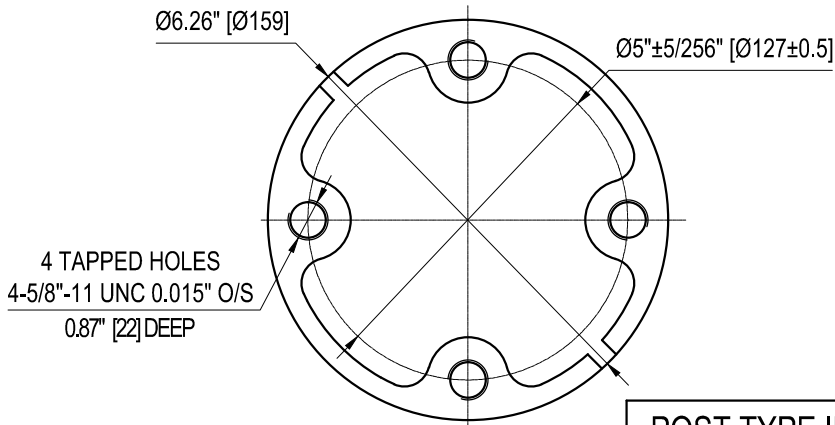
MECHANICAL PROPERTIES

Cantilever Strength:	4000 lbs (17.8 kN)
Tension Strength:	15000 lbs (67 kN)
Torsion Strength:	12000 in-lbs (1360 N-m)
Compression Strength:	20000 lbs (89 kN)

According to Standard Specification: ANSI C 29.9
except drawing

Galvanized parts as per ASTM 123

BOTTOM INSTALLATION HOLES



POST TYPE INSULATOR
REFERENCE: TR222
VTR222SSG0

DRAWING: TR222 VTR222SSG0 RV1



Vanguard Electric (R)
www.vanguardelec.com
sales@vanguardelec.com