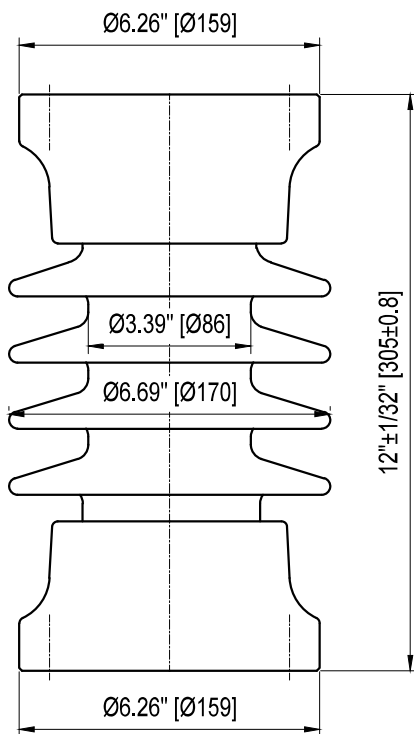
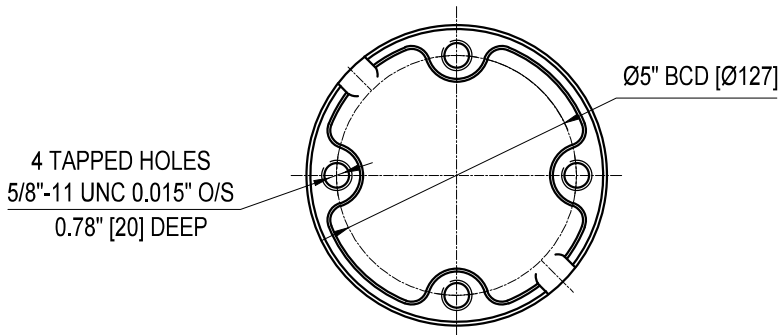


TOP INSTALLATION HOLES



Semi-Conductive Glazed

ELECTRICAL PROPERTIES

Critical Impulse Flashover Voltage	
Pos.:	125 kV
Low Frequency Withstand Voltage	
Wet:	45 kV
Impulse Withstand Voltage:	110 kV
Radio Influence Voltage Data:	
Test Voltage to Ground:	10 kV
Maximum RIV at 1000kHz:	50 µV

PHYSICAL PROPERTIES

Creepage Distance:	15.5 in (394 mm)
Net weight:	33.9 lbs (15.4 Kg)
Color:	Light Grey

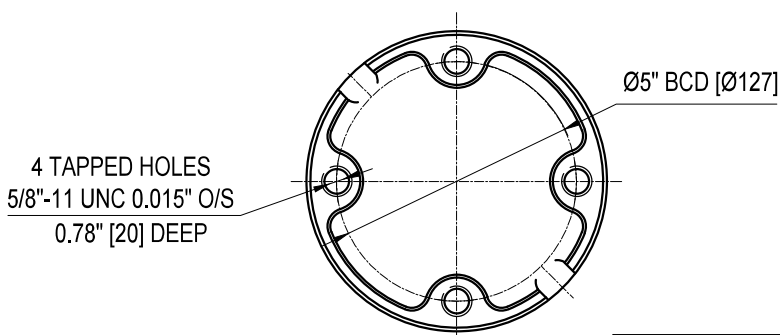
MECHANICAL PROPERTIES

Cantilever Strength:	4000 lbs (17.8 kN)
Tension Strength:	20000 lbs (89 kN)
Torsion Strength:	14000 in-lbs (1582 N-m)
Compression Strength:	20000 lbs (89 kN)

According to Standard Specification: ANSI C 29.9

Galvanized parts as per ASTM 123

BOTTOM INSTALLATION HOLES



POST TYPE INSULATOR
REFERENCE: TR225
VTR225SSG1-SCG

DRAWING: TR225 VTR225SSG1-SCG RV0



Vanguard Electric (R)
www.vanguardelec.com
sales@vanguardelec.com