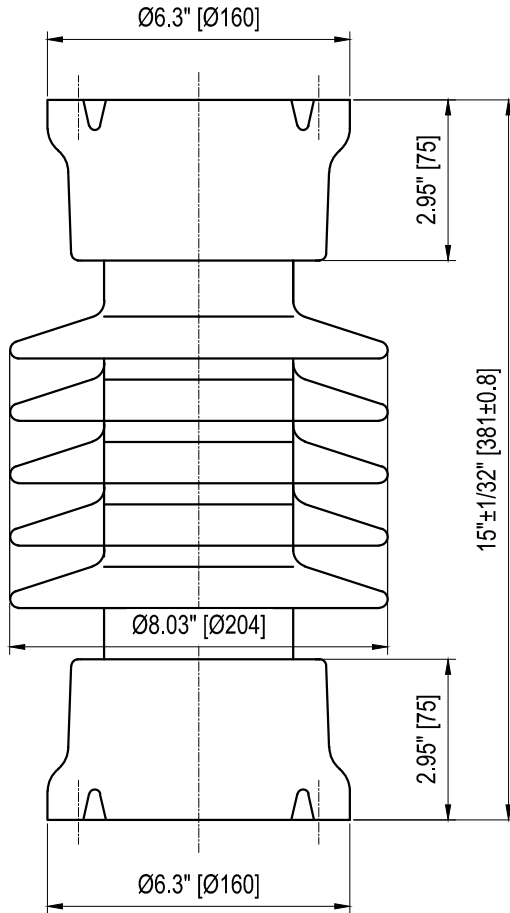
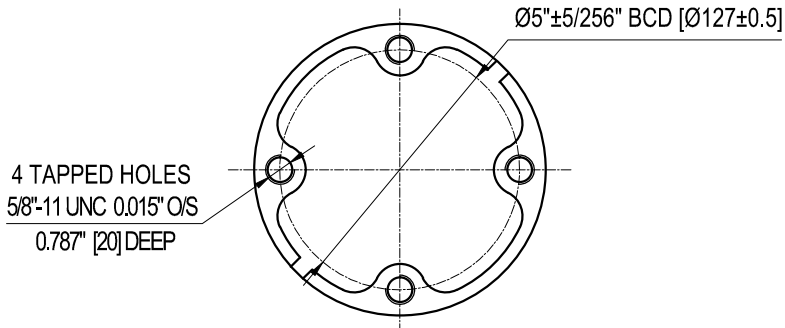
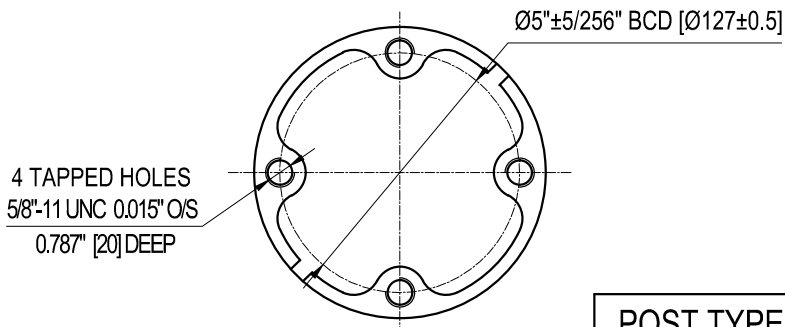


TOP INSTALLATION HOLES



BOTTOM INSTALLATION HOLES



**Semi-Conductive Glazed**

**ELECTRICAL PROPERTIES**

Critical Impulse Flashover Voltage	
Pos.:	170 kV
Low Frequency Withstand Voltage	
Wet:	60 kV
Impulse Withstand Voltage:	150 kV
Radio Influence Voltage Data:	
Test Voltage to Ground:	15 kV
Maximum RIV at 1000kHz:	100 µV

**PHYSICAL PROPERTIES**

Creepage Distance:	24 in (610 mm)
Net weight:	49.5 lbs (22.5 Kg)
Color:	Grey

**MECHANICAL PROPERTIES**

Cantilever Strength:	4000 lbs (17.79 kN)
Tension Strength:	20000 lbs (89 kN)
Torsion Strength:	16000 in·lbs (1.8 kN·m)
Compression Strength:	20000 lbs (89 kN)

According to Standard Specification: ANSI C 29.9

Galvanized parts as per ASTM 123

POST TYPE INSULATOR  
REFERENCE: TR227  
VTR227SSG1-SCG

DRAWING: TR227 VTR227SSG1-SCG RV0



Vanguard Electric (R)  
www.vanguardelec.com  
sales@vanguardelec.com