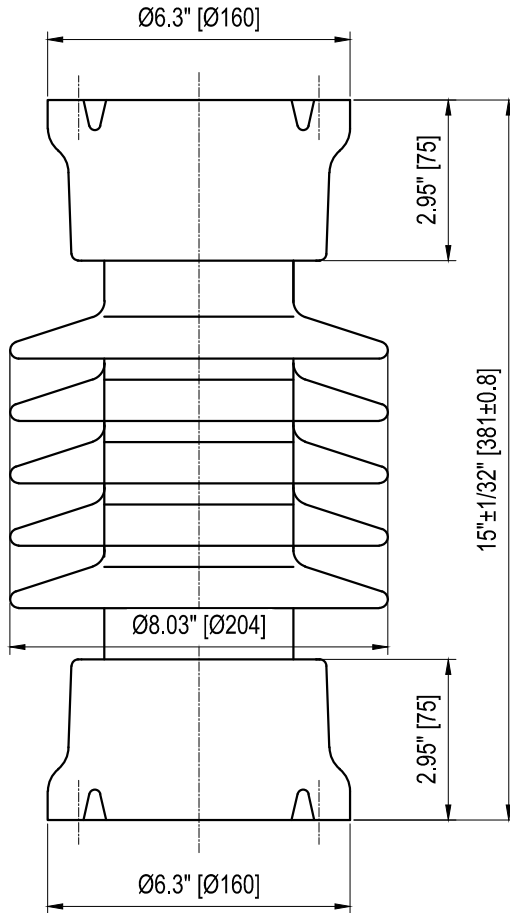
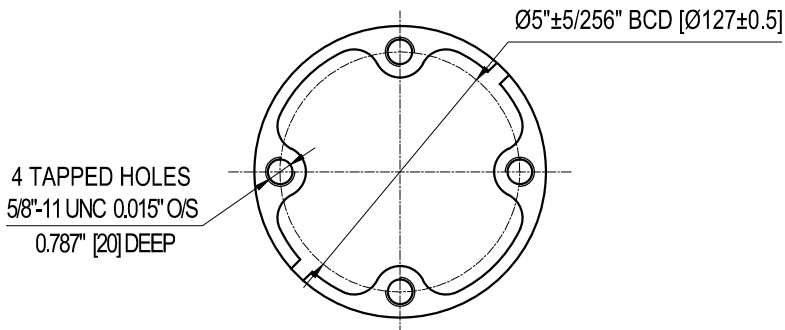
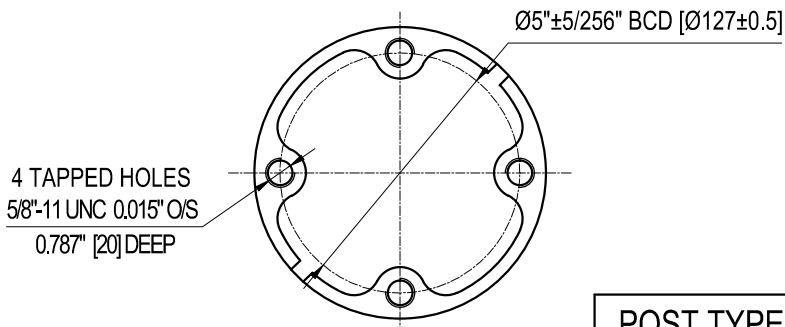


TOP INSTALLATION HOLES



BOTTOM INSTALLATION HOLES



ELECTRICAL PROPERTIES

Critical Impulse Flashover Voltage	
Pos.:	170 kV
Low Frequency Withstand Voltage	
Wet:	60 kV
Impulse Withstand Voltage:	150 kV
Radio Influence Voltage Data:	
Test Voltage to Ground:	15 kV
Maximum RIV at 1000kHz:	100 µV

PHYSICAL PROPERTIES

Creepage Distance:	24 in (610 mm)
Net weight:	49.5 lbs (22.5 Kg)
Color:	Grey

MECHANICAL PROPERTIES

Cantilever Strength:	4000 lbs (17.79 kN)
Tension Strength:	20000 lbs (89 kN)
Torsion Strength:	16000 in·lbs (1.8 kN·m)
Compression Strength:	20000 lbs (89 kN)

According to Standard Specification: ANSI C 29.9

Galvanized parts as per ASTM 123

POST TYPE INSULATOR
REFERENCE: TR227
VTR227SSG1

DRAWING: TR227 VTR227SSG1 RV2



Vanguard Electric (R)
 www.vanguardelec.com
 sales@vanguardelec.com