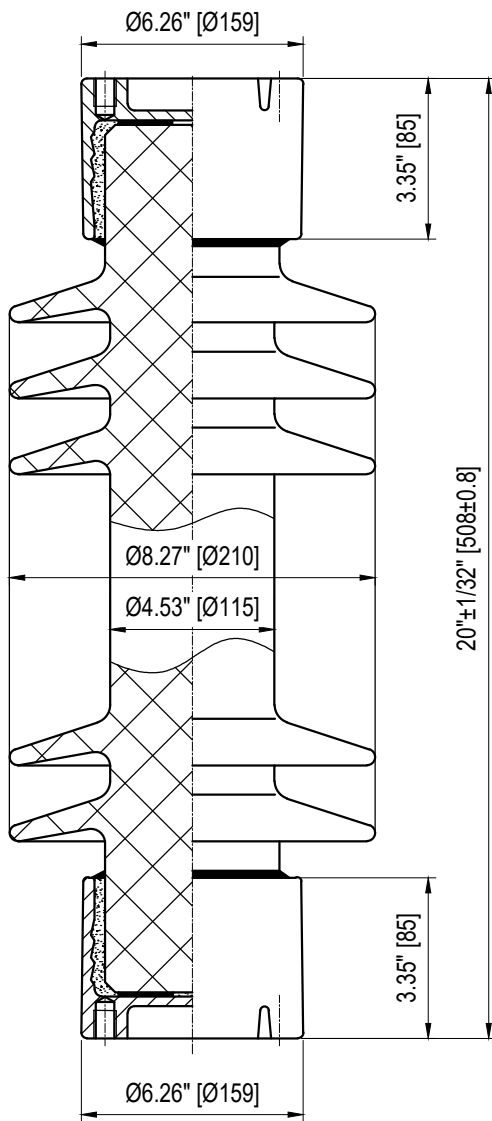
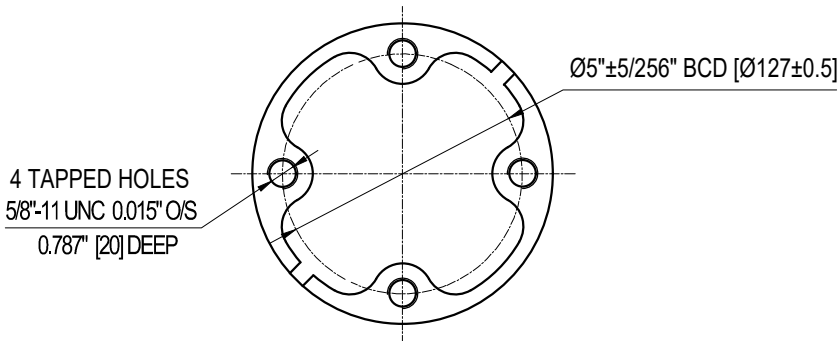
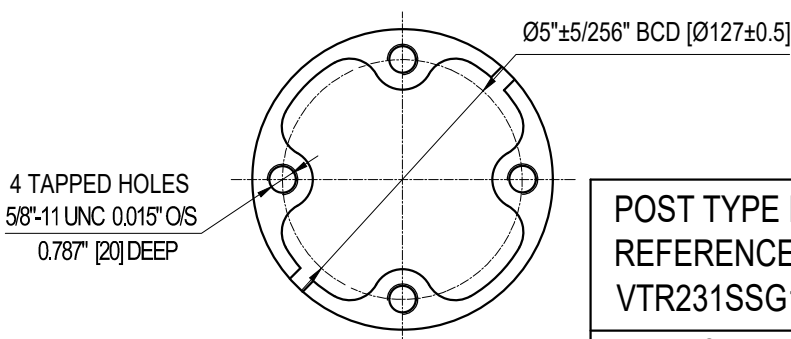


TOP INSTALLATION HOLES



BOTTOM INSTALLATION HOLES



**ELECTRICAL PROPERTIES**

Critical Impulse Flashover Voltage	
Pos.:	225 kV
Low Frequency Withstand Voltage	
Wet:	80 kV
Impulse Withstand Voltage:	200 kV
Radio Influence Voltage Data:	
Test Voltage to Ground:	22 kV
Maximum RIV at 1000kHz:	100 $\mu\text{V}$

**PHYSICAL PROPERTIES**

Creepage Distance:	37 in (940 mm)
Net weight:	59.4 lbs (27 Kg)
Color:	Grey

**MECHANICAL PROPERTIES**

Cantilever Strength:	4000 lbs (17.8 kN)
Tension Strength:	25000 lbs (111.1 kN)
Torsion Strength:	20000 in-lbs (2.26 kN·m)
Compression Strength:	30000 lbs (133.3 kN)

According to Standard Specification: ANSI C 29.9

Galvanized parts as per ASTM 123

**POST TYPE INSULATOR**  
**REFERENCE: TR231**  
**VTR231SSG1**

DRAWING: TR231 VTR231SSG1 RV2



Vanguard Electric (R)  
[www.vanguardelec.com](http://www.vanguardelec.com)  
[sales@vanguardelec.com](mailto:sales@vanguardelec.com)