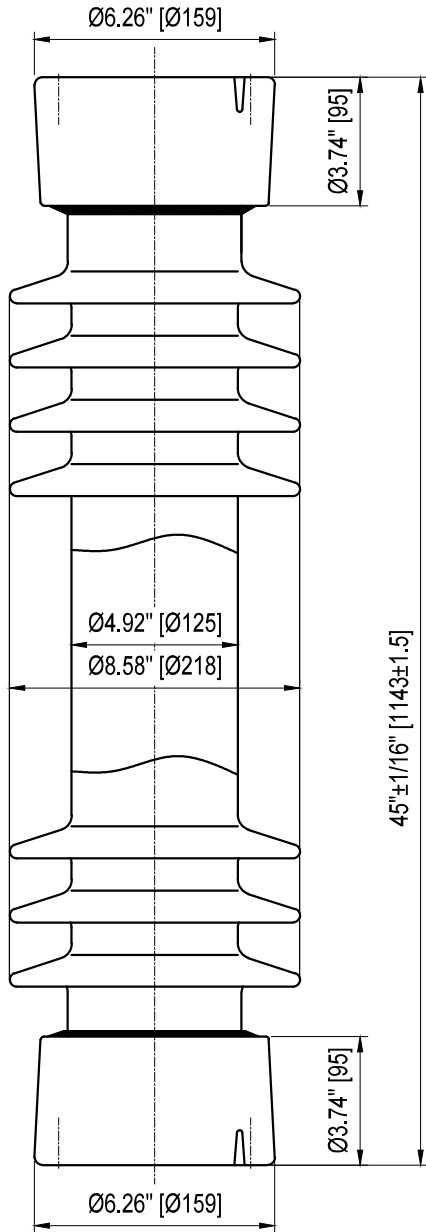
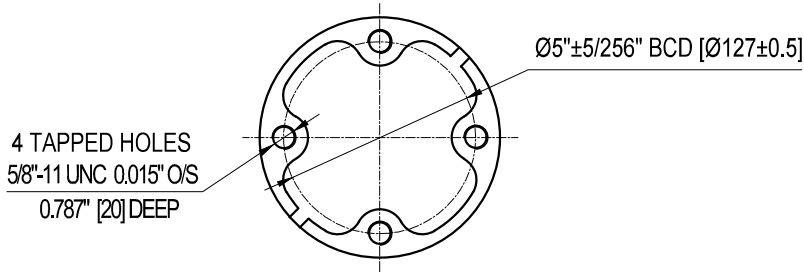
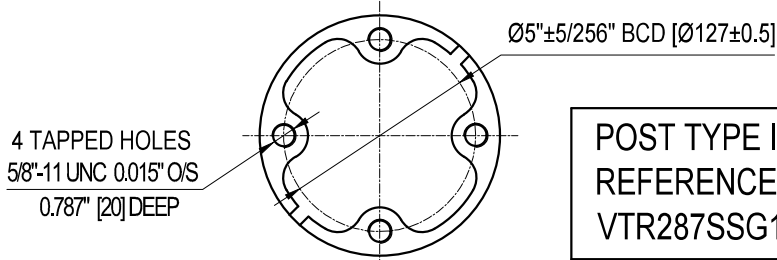


TOP INSTALLATION HOLES



BOTTOM INSTALLATION HOLES



Semi-Conductive Glazed

ELECTRICAL PROPERTIES

Critical Impulse Flashover Voltage	
Pos.:	610 kV
Low Frequency Withstand Voltage	
Wet:	230 kV
Impulse Withstand Voltage:	550 kV
Radio Influence Voltage Data:	
Test Voltage to Ground:	73 kV
Maximum RIV at 1000kHz:	200 μ V

PHYSICAL PROPERTIES

Creepage Distance:	99 in (2515mm)
Net weight:	136.4 lbs (62 Kg)
Color:	Grey

MECHANICAL PROPERTIES

Cantilever Strength:	2600 lbs (11.56 kN)
Tension Strength:	25000 lbs (111 kN)
Torsion Strength:	90000 in-lbs (10.17 kN·m)
Compression Strength:	75000 lbs (334 kN)

According to Standard Specification: ANSI C 29.9

Galvanized parts as per ASTM 123

POST TYPE INSULATOR
REFERENCE: TR287
VTR287SSG1-SCG

DRAWING: TR287 VTR287SSG1-SCG RV0



Vanguard Electric (R)
www.vanguardelec.com
sales@vanguardelec.com