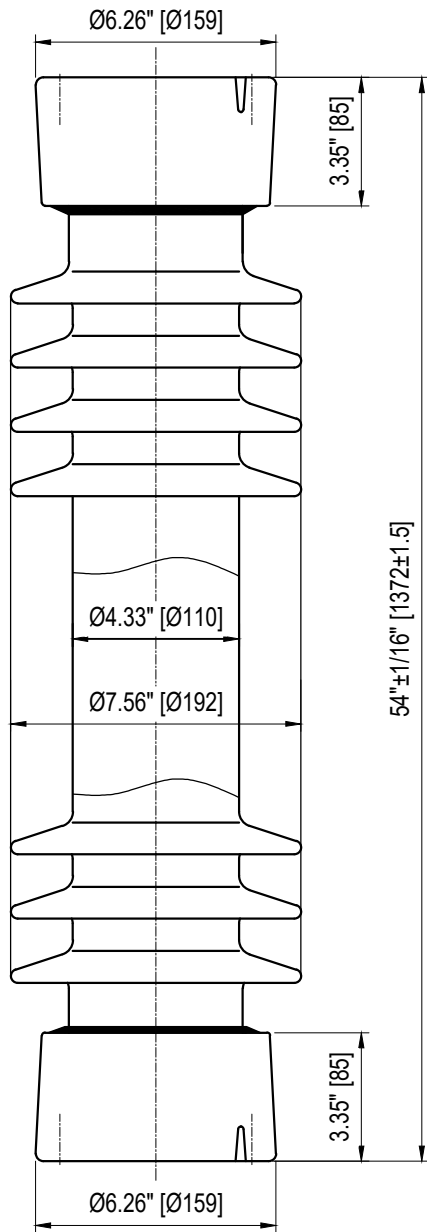
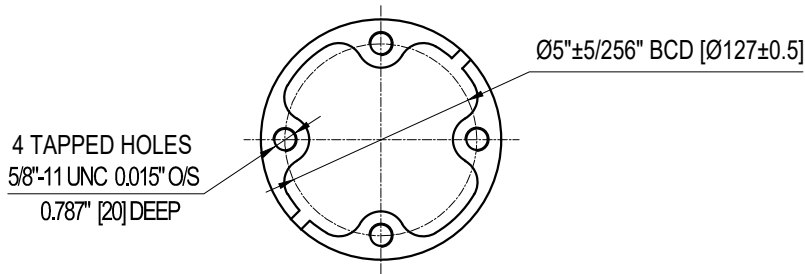
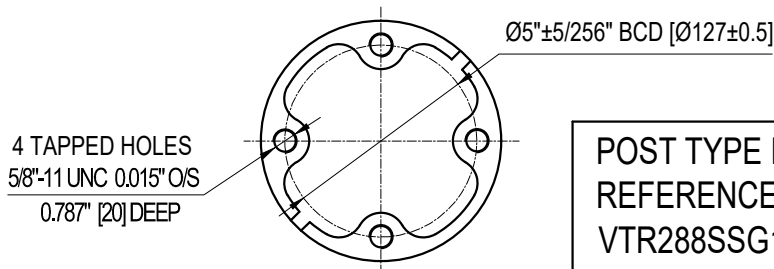


TOP INSTALLATION HOLES



BOTTOM INSTALLATION HOLES



ELECTRICAL PROPERTIES

Critical Impulse Flashover Voltage	
Pos.:	710 kV
Low Frequency Withstand Voltage	
Wet:	275 kV
Impulse Withstand Voltage:	650 kV
Radio Influence Voltage Data:	
Test Voltage to Ground:	88 kV
Maximum RIV at 1000kHz:	200 μV

PHYSICAL PROPERTIES

Creepage Distance:	116 in (2946 mm)
Net weight:	127.6 lbs (58 Kg)
Color:	Grey

MECHANICAL PROPERTIES

Cantilever Strength:	1400 lbs (6.23 kN)
Tension Strength:	20000 lbs (89 kN)
Torsion Strength:	40000 in·lbs (4.52 kN·m)
Compression Strength:	60000 lbs (267 kN)

According to Standard Specification: ANSI C 29.9

Galvanized parts as per ASTM 123

POST TYPE INSULATOR
REFERENCE: TR288
VTR288SSG1

DRAWING: TR288 VTR288SSG1 RV1



Vanguard Electric (R)
www.vanguardelec.com
sales@vanguardelec.com