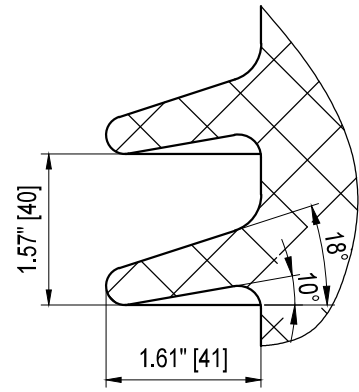
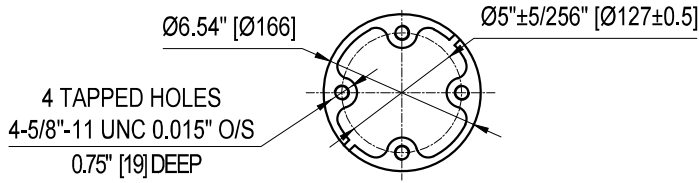
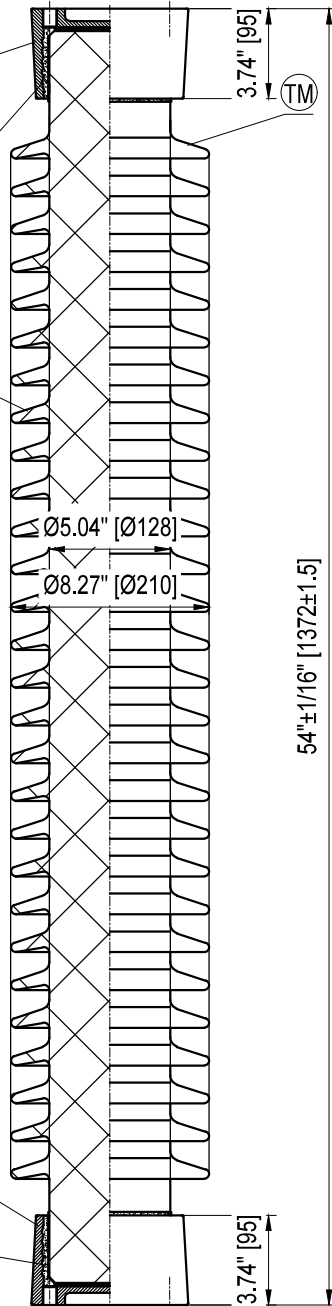


TOP INSTALLATION HOLES



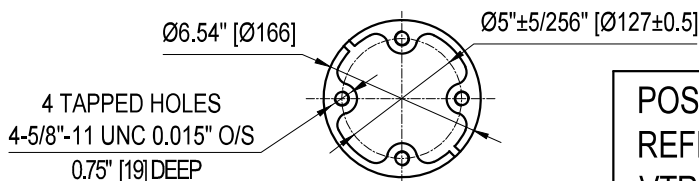
METAL CAP
 M.C.I.(H.D.G)
 PORTLAND CEMENT

PORCELAIN BODY
 28 SHED



METAL CAP
 M.C.I.(H.D.G)
 PORTLAND CEMENT

BOTTOM INSTALLATION HOLES



Semi-Conductive Glazed

ELECTRICAL PROPERTIES

Critical Impulse Flashover Voltage	
Pos.:	710 kV
Neg.:	900 kV
Low Frequency Withstand Voltage	
Wet:	275 kV
Dry:	335 kV
Impulse Withstand Voltage:	650 kV
Radio Influence Voltage Data:	
Test Voltage to Ground:	88 kV
Maximum RIV at 1000kHz:	200 µV

PHYSICAL PROPERTIES

Creepage Distance:	116 in (2947 mm)
Net weight:	168.9 lbs (76.8 Kg)
Color:	-

MECHANICAL PROPERTIES

Cantilever Strength:	2200 lbs (9.8 kN)
Tension Strength:	25000 lbs (111.2 kN)
Torsion Strength:	90000 in-lbs (10170N-m)
Compression Strength:	75000 lbs (333.6 kN)

According to Standard Specification: ANSI C 29.9 and CAN/CSA C156.1 M except drawing

Galvanized parts as per ASTM 123

POST TYPE INSULATOR
REFERENCE: TR289
VTR289SSG0-SCG

DRAWING: TR289 VTR289SSG0-SCG RV0



Vanguard Electric (R)
 www.vanguardelec.com
 sales@vanguardelec.com