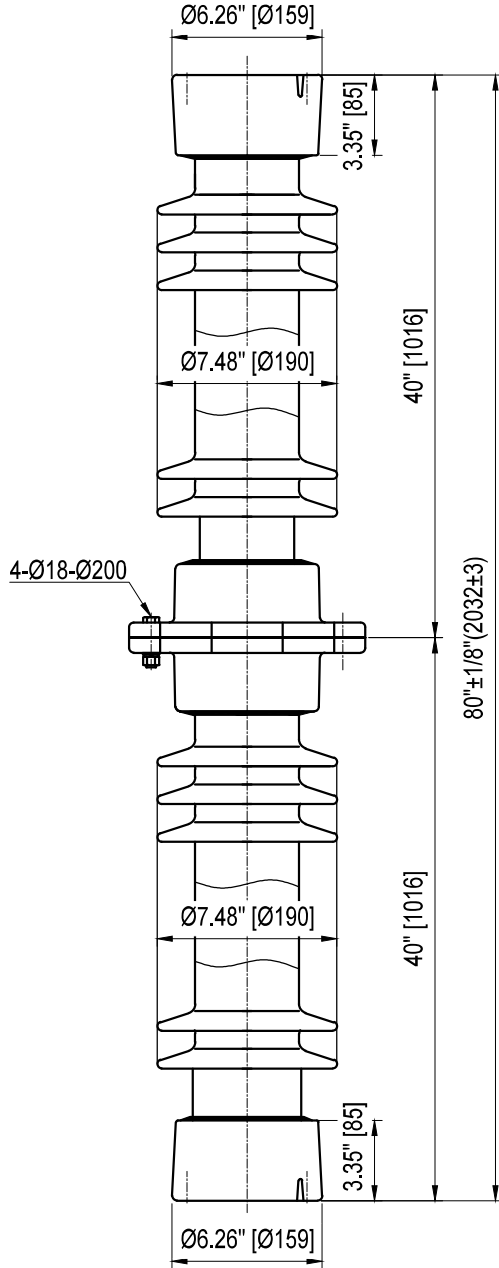
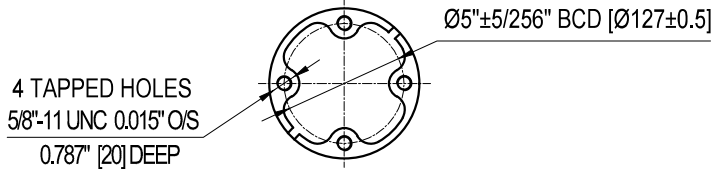
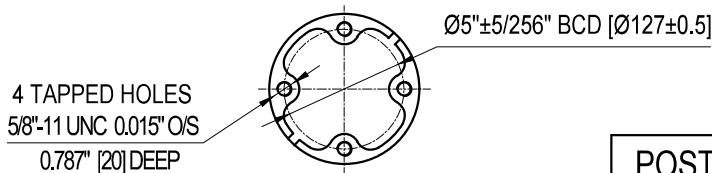


TOP INSTALLATION HOLES



BOTTOM INSTALLATION HOLES



**Semi-Conductive Glazed**

**ELECTRICAL PROPERTIES**

Critical Impulse Flashover Voltage	
Pos.:	1010 kV
Low Frequency Withstand Voltage	
Wet:	385 kV
Impulse Withstand Voltage:	900 kV
Radio Influence Voltage Data:	
Test Voltage to Ground:	146 kV
Maximum RIV at 1000kHz:	500 µV

**PHYSICAL PROPERTIES**

Creepage Distance:	165 in (4191 mm)
Net weight:	209 lbs (95Kg)
Color:	Grey

**MECHANICAL PROPERTIES**

Cantilever Strength:	950 lbs (4.23 kN)
Tension Strength:	20000 lbs (89 kN)
Torsion Strength:	40000 in-lbs (4.52 kN-m)
Compression Strength:	60000 lbs (267 kN)

According to Standard Specification: ANSI C 29.9

Galvanized parts as per ASTM 123

**POST TYPE INSULATOR**  
**REFERENCE: TR304**  
**VTR304SSG1-SCG**

DRAWING: TR304 VTR304SSG1-SCG RV0



Vanguard Electric (R)  
[www.vanguardelec.com](http://www.vanguardelec.com)  
[sales@vanguardelec.com](mailto:sales@vanguardelec.com)