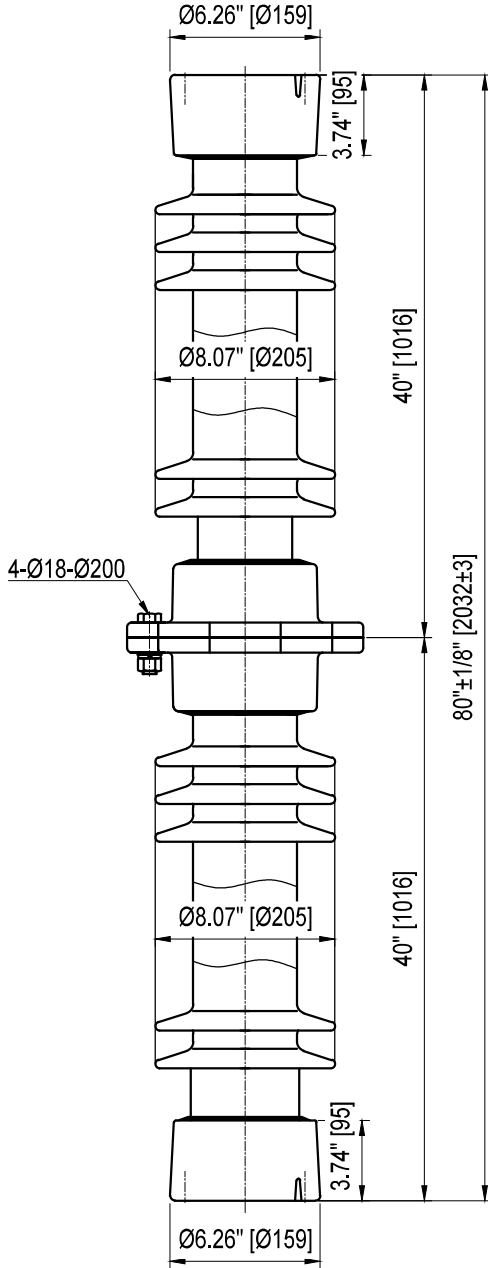
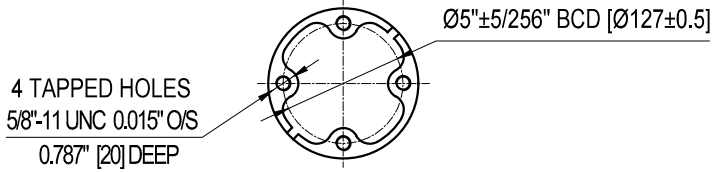
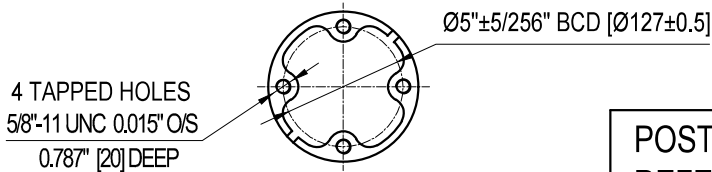


TOP INSTALLATION HOLES



BOTTOM INSTALLATION HOLES



Semi-Conductive Glazed

ELECTRICAL PROPERTIES	
Critical Impulse Flashover Voltage	
Pos.:	1010 kV
Low Frequency Withstand Voltage	
Wet:	385 kV
Impulse Withstand Voltage:	900 kV
Radio Influence Voltage Data:	
Test Voltage to Ground:	146 kV
Maximum RIV at 1000kHz:	500 µV
PHYSICAL PROPERTIES	
Creepage Distance:	165 in (4191 mm)
Net weight:	242 lbs (110 Kg)
Color:	Grey
MECHANICAL PROPERTIES	
Cantilever Strength:	1450 lbs (6.45 kN)
Tension Strength:	25000 lbs (111 kN)
Torsion Strength:	90000 in-lbs (10.17 kN·m)
Compression Strength:	75000 lbs (333 kN)
According to Standard Specification:	ANSI C 29.9
Galvanized parts as per ASTM 123	

POST TYPE INSULATOR
 REFERENCE: TR308
 VTR308SSG1-SCG
 DRAWING: TR308 VTR308SSG1-SCG RV0

Vanguard Electric (R)
 www.vanguardelec.com
 sales@vanguardelec.com