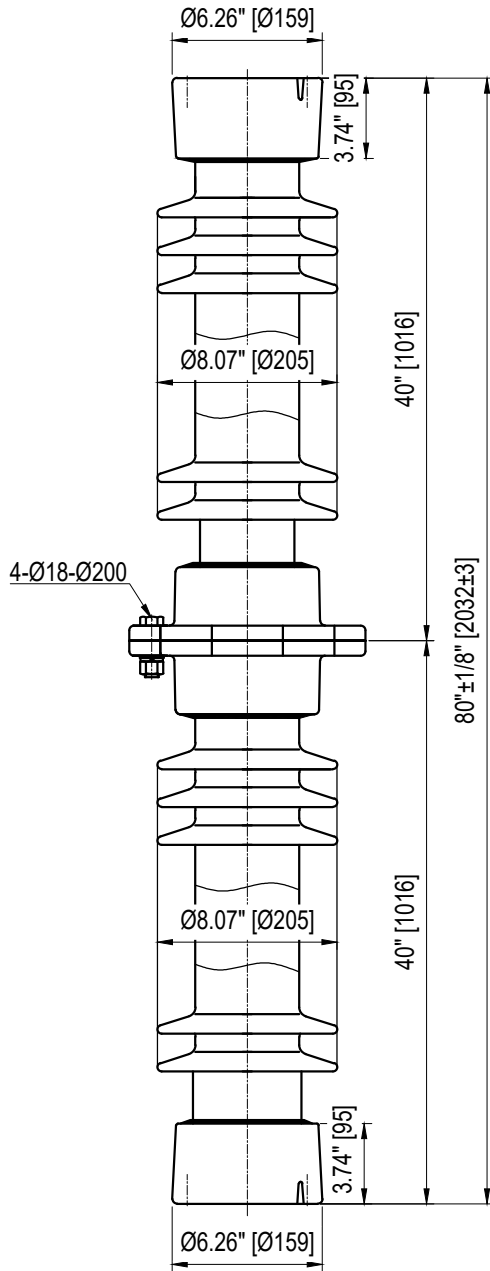
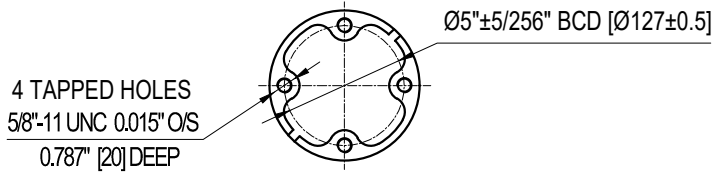
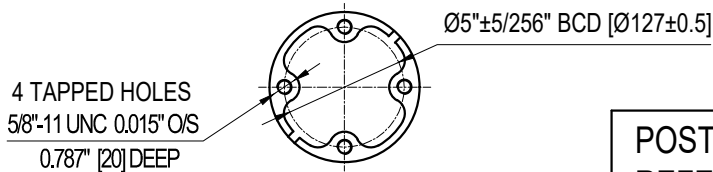


TOP INSTALLATION HOLES



BOTTOM INSTALLATION HOLES



ELECTRICAL PROPERTIES

Critical Impulse Flashover Voltage	
Pos.:	1010 kV
Low Frequency Withstand Voltage	
Wet:	385 kV
Impulse Withstand Voltage:	900 kV
Radio Influence Voltage Data:	
Test Voltage to Ground:	146 kV
Maximum RIV at 1000kHz:	500 µV

PHYSICAL PROPERTIES

Creepage Distance:	165 in (4191 mm)
Net weight:	242 lbs (110 Kg)
Color:	Grey

MECHANICAL PROPERTIES

Cantilever Strength:	1450 lbs (6.45 kN)
Tension Strength:	25000 lbs (111 kN)
Torsion Strength:	90000 in-lbs (10.17 kN·m)
Compression Strength:	75000 lbs (333 kN)

According to Standard Specification: ANSI C 29.9

Galvanized parts as per ASTM 123

POST TYPE INSULATOR
REFERENCE: TR308
VTR308SSG1

DRAWING: TR308 VTR308SSG1 RV1



Vanguard Electric (R)
www.vanguardelec.com
sales@vanguardelec.com