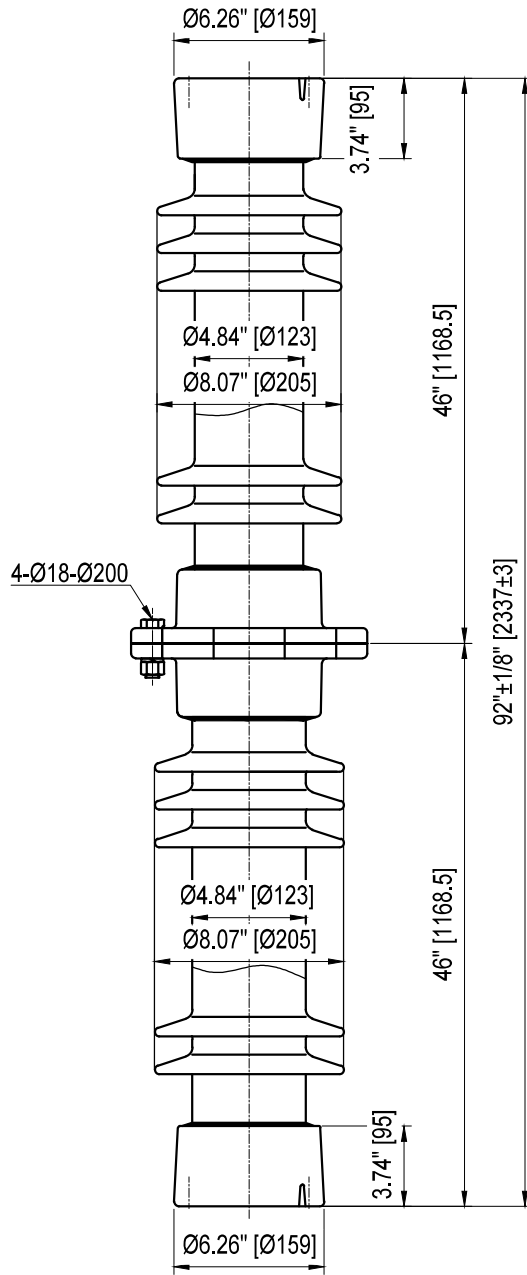
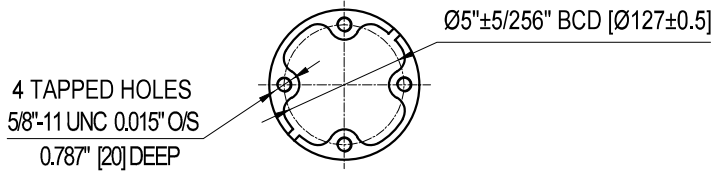
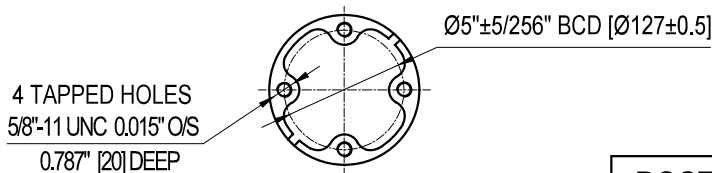


TOP INSTALLATION HOLES



BOTTOM INSTALLATION HOLES



Semi-Conductive Glazed

ELECTRICAL PROPERTIES

Critical Impulse Flashover Voltage	
Pos.:	1210 kV
Low Frequency Withstand Voltage	
Wet:	455 kV
Impulse Withstand Voltage:	1050 kV
Radio Influence Voltage Data:	
Test Voltage to Ground:	146 kV
Maximum RIV at 1000kHz:	500 µV

PHYSICAL PROPERTIES

Creepage Distance:	198 in (5029 mm)
Net weight:	261.8 lbs (119 Kg)
Color:	Grey

MECHANICAL PROPERTIES

Cantilever Strength:	1250 lbs (5.56 kN)
Tension Strength:	25000 lbs (111 kN)
Torsion Strength:	90000 in-lbs (10.17 kN·m)
Compression Strength:	90000 lbs (400 kN)

According to Standard Specification: ANSI C 29.9

Galvanized parts as per ASTM 123

POST TYPE INSULATOR
 REFERENCE: TR316
 VTR316SSG1-SCG

DRAWING: TR316 VTR316SSG1-SCG RV0



Vanguard Electric (R)
 www.vanguardelec.com
 sales@vanguardelec.com