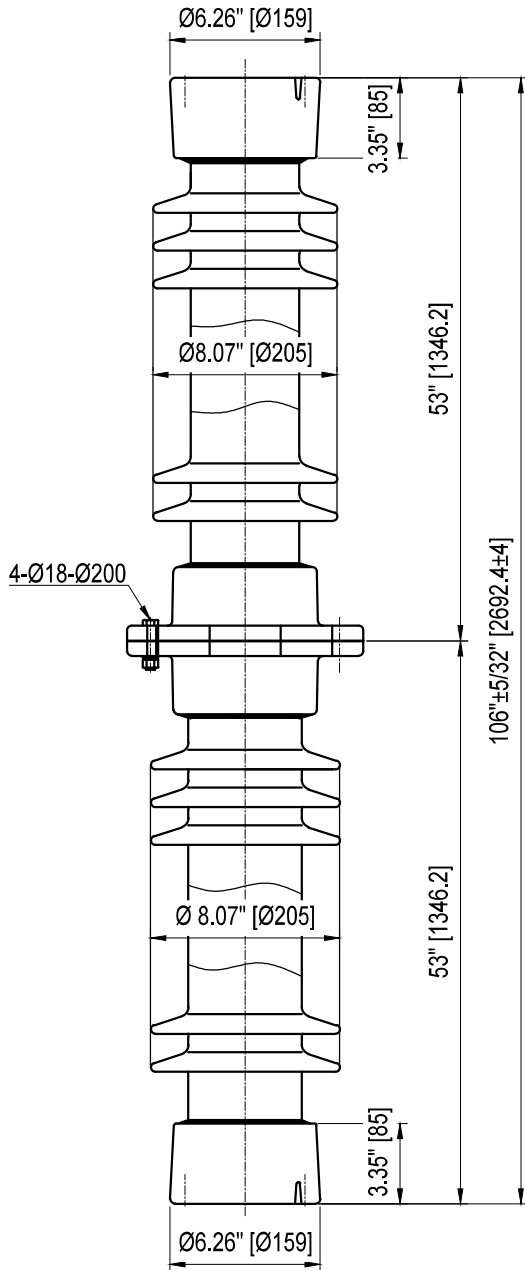
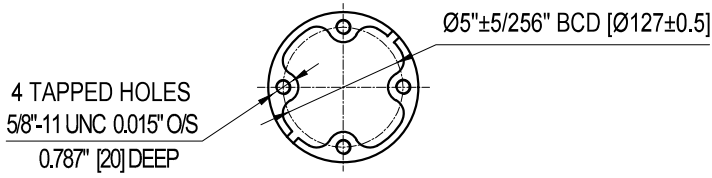
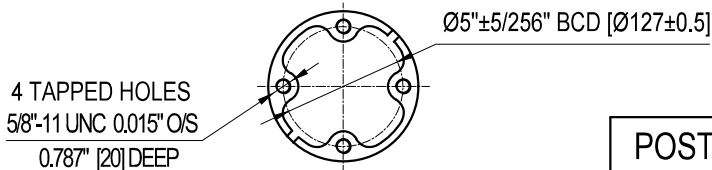


TOP INSTALLATION HOLES



BOTTOM INSTALLATION HOLES



Semi-Conductive Glazed

ELECTRICAL PROPERTIES

| | |
|------------------------------------|---------|
| Critical Impulse Flashover Voltage | |
| Pos.: | 1410 kV |
| Low Frequency Withstand Voltage | |
| Wet: | 525 kV |
| Impulse Withstand Voltage: | 1300 kV |
| Radio Influence Voltage Data: | |
| Test Voltage to Ground: | 220 kV |
| Maximum RIV at 1000kHz: | 1000 µV |

PHYSICAL PROPERTIES

| | |
|--------------------|--------------------|
| Creepage Distance: | 231 in (5867 mm) |
| Net weight: | 316.8 lbs (144 Kg) |
| Color: | Grey |

MECHANICAL PROPERTIES

| | |
|-----------------------|---------------------------|
| Cantilever Strength: | 1000 lbs (4.45 kN) |
| Tension Strength: | 25000 lbs (111 kN) |
| Torsion Strength: | 90000 in-lbs (10.17 kN·m) |
| Compression Strength: | 75000 lbs (333 kN) |

According to Standard Specification: ANSI C 29.9

Galvanized parts as per ASTM 123

POST TYPE INSULATOR
 REFERENCE: TR324
 VTR324SSG1-SCG

DRAWING: TR324 VTR324SSG1-SCG RV0



Vanguard Electric (R)
 www.vanguardelec.com
 sales@vanguardelec.com