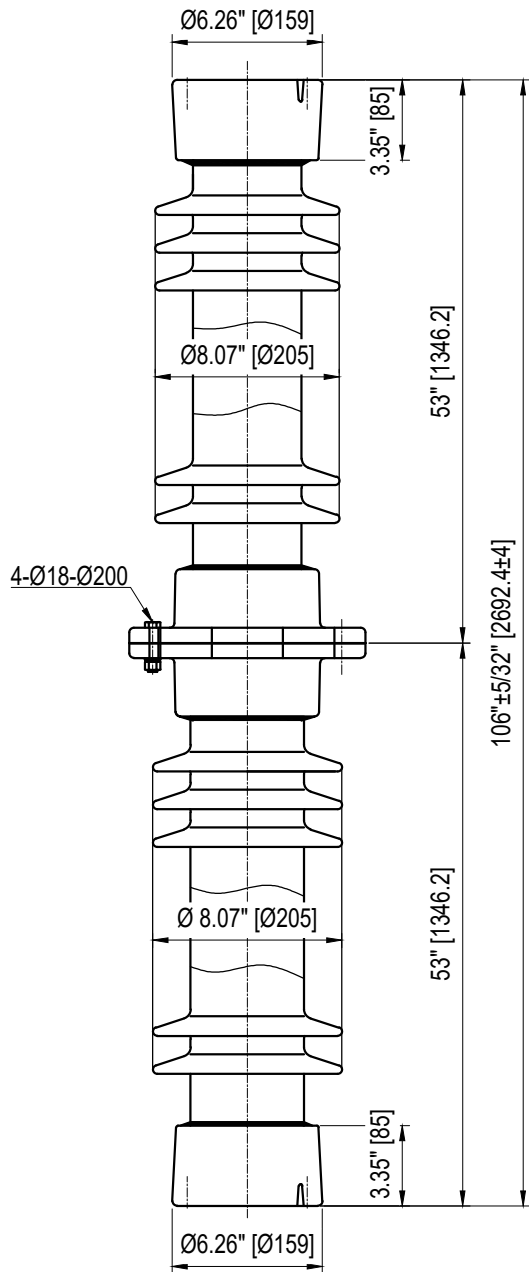
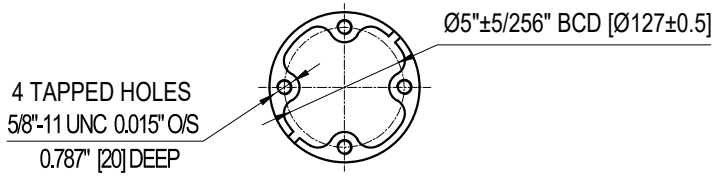
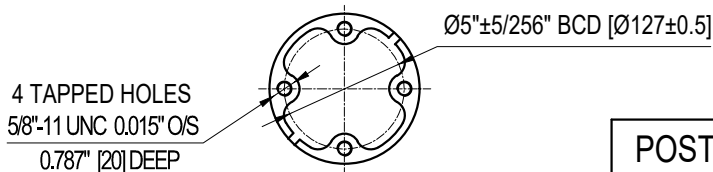


TOP INSTALLATION HOLES



BOTTOM INSTALLATION HOLES



**ELECTRICAL PROPERTIES**

Critical Impulse Flashover Voltage	
Pos.:	1410 kV
Low Frequency Withstand Voltage	
Wet:	525 kV
Impulse Withstand Voltage:	1300 kV
Radio Influence Voltage Data:	
Test Voltage to Ground:	220 kV
Maximum RIV at 1000kHz:	1000 µV

**PHYSICAL PROPERTIES**

Creepage Distance:	231 in (5867 mm)
Net weight:	316.8 lbs (144 Kg)
Color:	Grey

**MECHANICAL PROPERTIES**

Cantilever Strength:	1000 lbs (4.45 kN)
Tension Strength:	25000 lbs (111 kN)
Torsion Strength:	90000 in-lbs (10.17 kN·m)
Compression Strength:	75000 lbs (333 kN)

According to Standard Specification: ANSI C 29.9

Galvanized parts as per ASTM 123

**POST TYPE INSULATOR**  
**REFERENCE: TR324**  
**VTR324SSG1**

DRAWING: TR324 VTR324SSG1 RV1



Vanguard Electric (R)  
[www.vanguardelec.com](http://www.vanguardelec.com)  
[sales@vanguardelec.com](mailto:sales@vanguardelec.com)