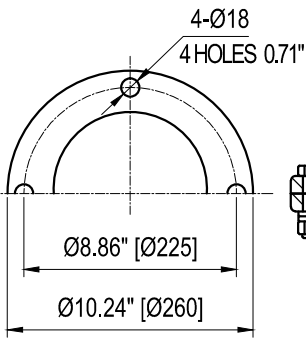
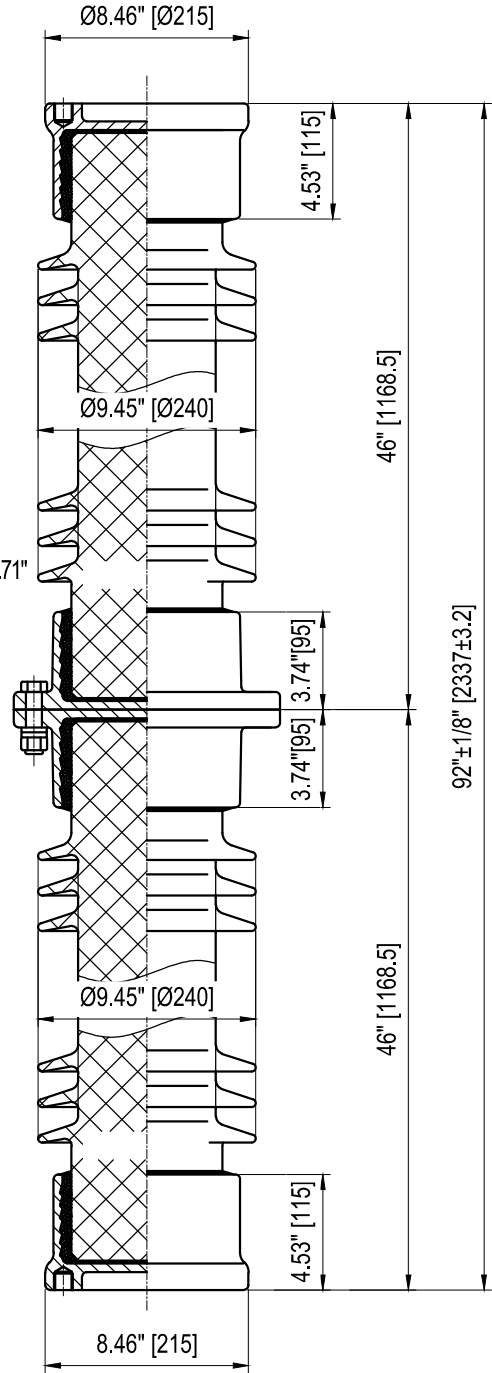
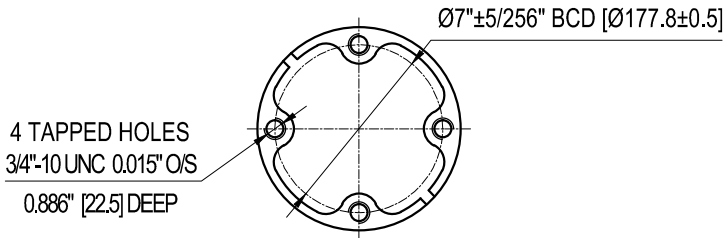
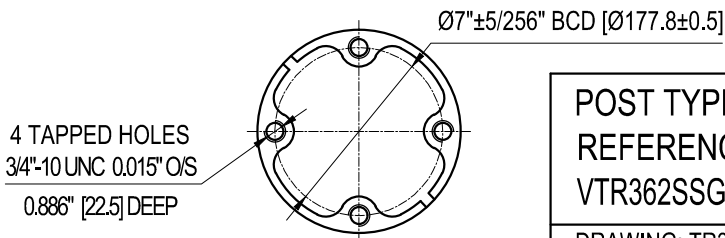


TOP INSTALLATION HOLES



BOTTOM INSTALLATION HOLES



ELECTRICAL PROPERTIES

Critical Impulse Flashover Voltage	
Pos.:	1210 kV
Low Frequency Withstand Voltage	
Wet:	455 kV
Impulse Withstand Voltage:	1050 kV
Radio Influence Voltage Data:	
Test Voltage to Ground:	146 kV
Maximum RIV at 1000kHz:	500 µV

PHYSICAL PROPERTIES

Creepage Distance:	198 in (5029 mm)
Net weight:	-
Color:	Light Grey

MECHANICAL PROPERTIES

Cantilever Strength:	2300 lbs (10.23 kN)
Tension Strength:	40000 lbs (178 kN)
Torsion Strength:	120000 in·lbs (13.56 kN·m)
Compression Strength:	100000 lbs (445 kN)

According to Standard Specification: ANSI C 29.9

Galvanized parts as per ASTM 123

POST TYPE INSULATOR
 REFERENCE: TR362
 VTR362SSG1

DRAWING: TR362 VTR362SSG1 RV2



Vanguard Electric (R)
 www.vanguardelec.com
 sales@vanguardelec.com