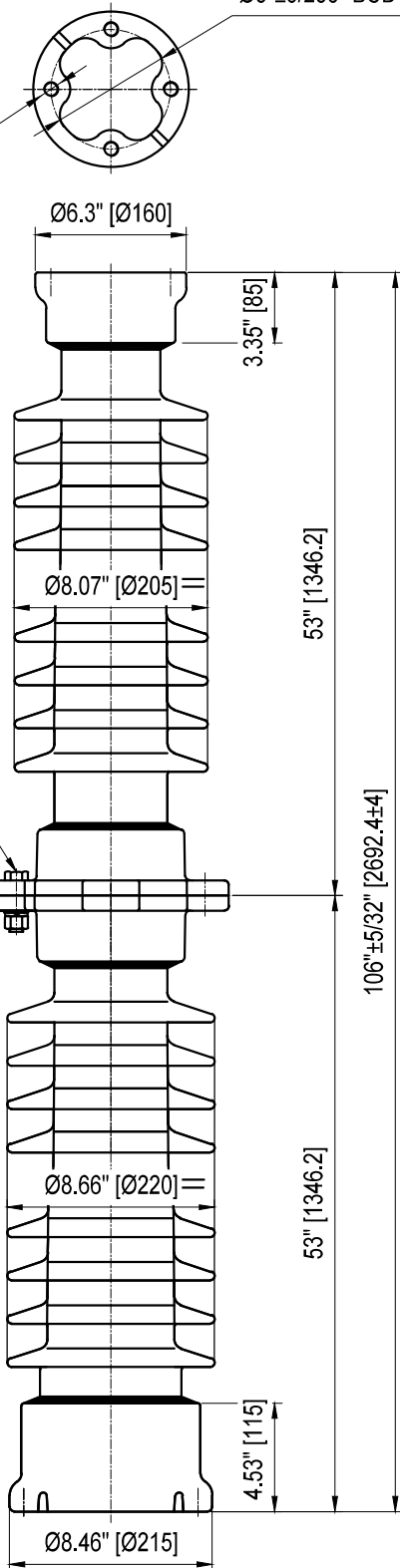


TOP INSTALLATION HOLES

Ø5"±5/256" BCD [Ø127±0.5]

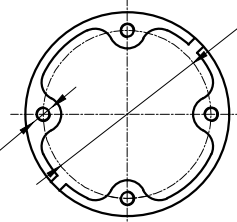
4 TAPPED HOLES
5/8"-11 UNC 0.015" O/S
0.886" [22.5 DEEP]



BOTTOM INSTALLATION HOLES

Ø7"±5/256" BCD [Ø177.8±0.5]

4 TAPPED HOLES
3/4"-10 UNC 0.015" O/S
0.9" [23] DEEP



Semi-Conductive Glazed

ELECTRICAL PROPERTIES

Critical Impulse Flashover Voltage	
Pos.:	1410 kV
Low Frequency Withstand Voltage	
Wet:	525 kV
Impulse Withstand Voltage:	1300 kV
Radio Influence Voltage Data:	
Test Voltage to Ground:	220 kV
Maximum RIV at 1000kHz:	1000 µV

PHYSICAL PROPERTIES

Creepage Distance:	231 in (5867 mm)
Net weight:	314.6 lbs (143 Kg)
Color:	Grey

MECHANICAL PROPERTIES

Cantilever Strength:	1450 lbs (6.45 kN)
Tension Strength:	20000 lbs (89 kN)
Torsion Strength:	40000 in-lbs (4.52 kN·m)
Compression Strength:	60000 lbs (267 kN)

According to Standard Specification: ANSI C 29.9

Galvanized parts as per ASTM 123

POST TYPE INSULATOR
REFERENCE: TR367
VTR367SSG1-SCG

DRAWING: TR367 VTR367SSG1-SCG RV0



Vanguard Electric (R)
www.vanguardelec.com
sales@vanguardelec.com