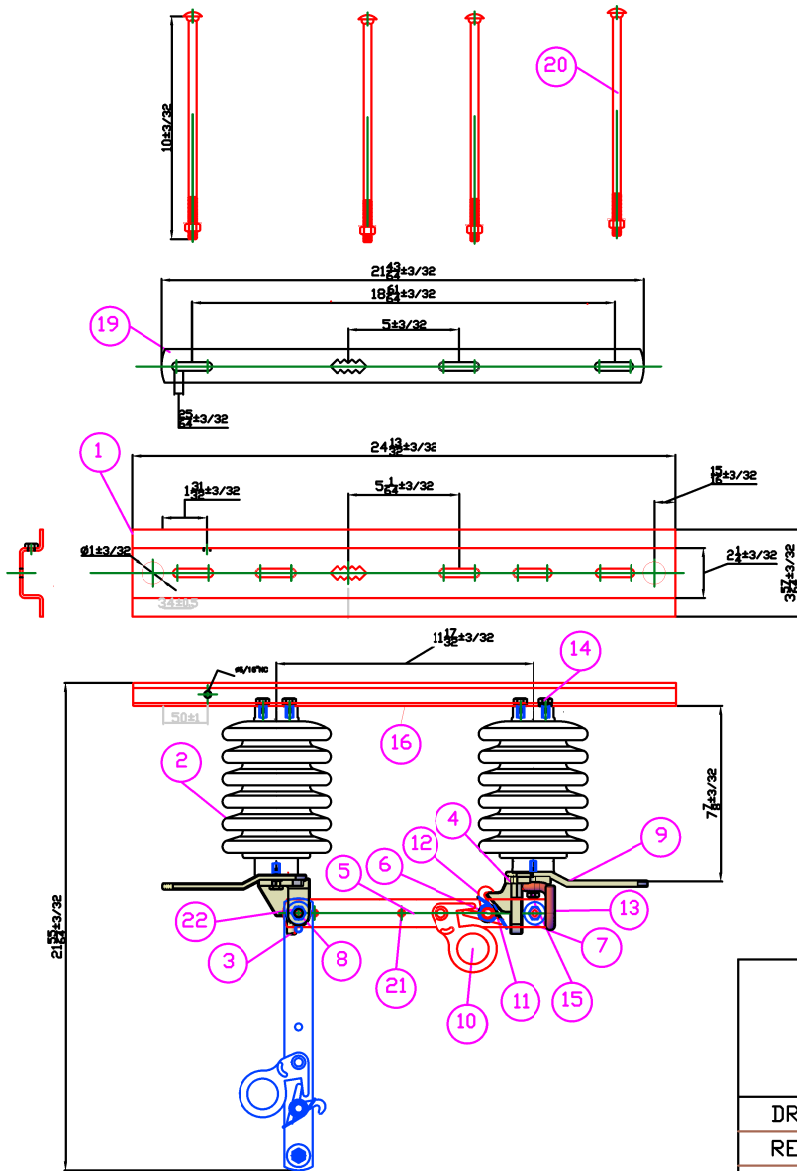


TECHNICAL DRAWING

Nº	DESCRIPTION	REVISED	DATE



NOTE : * Units in Inches

22	4	Washer 3/8"	Stainless steel
21	2	Spike separator 1/4"	Round brass 5/16"
20	4	Screw back plate	galv screw 3/8X10
19	1	Back plate	Hr 1 1/2x3/8 Galv
18	8	Washer 5/16"	Stainless steel
17	8	Washer 5/16"	Stainless steel
16	1	Nameplate	Aluminum 56X41 mm
15	2	Hexagonal screw 5/16" x 1"	Stainless steel
14	7	Hexagonal screw 5/16" x 3/4"	Stainless steel
13	1	Hook SE	
12	1	Torsion spring	Stainless steel
11	1	Hitch	Cu alloy
10	1	Hookstick	Cu alloy
9	2	Contact Sn	Cu electrolytic 1 3/4 X 3/16
8	3	Lock nut 3/8"	Stainless steel
7	6	Conical washer	Stainless steel
6	3	Screw 3/8"x2 1/2"	Stainless steel 304
5	2	Blade	Cu 1 1/4" x 3/16" plating
4	1	Contact input	Cu alloy w/silver plating
3	1	Contact output	Cu alloy w/silver plating
2	2	Insulator	Porcelain
1	1	Base	Galvanized plated HR
ITEM	QTY	DESCRIPTION	SPECIFICATION



PBL2 DISTRIBUTION HOOKSTICK
900 A
PORCELAIN INSULATOR

DRAWING:	J. G. C.	14-OCT-20
REVISED:	J. C. .C	14-OCT-20
APPROVED	J. G. C.	14-OCT-20

PBL2-15900-00
PBL2 15.5 kV 110 kV BIL 900 AMP
PORCELAIN INSULATOR

Material
As per specification

Scala:
S/E

Drawing Nº :
PBL2-15900-00