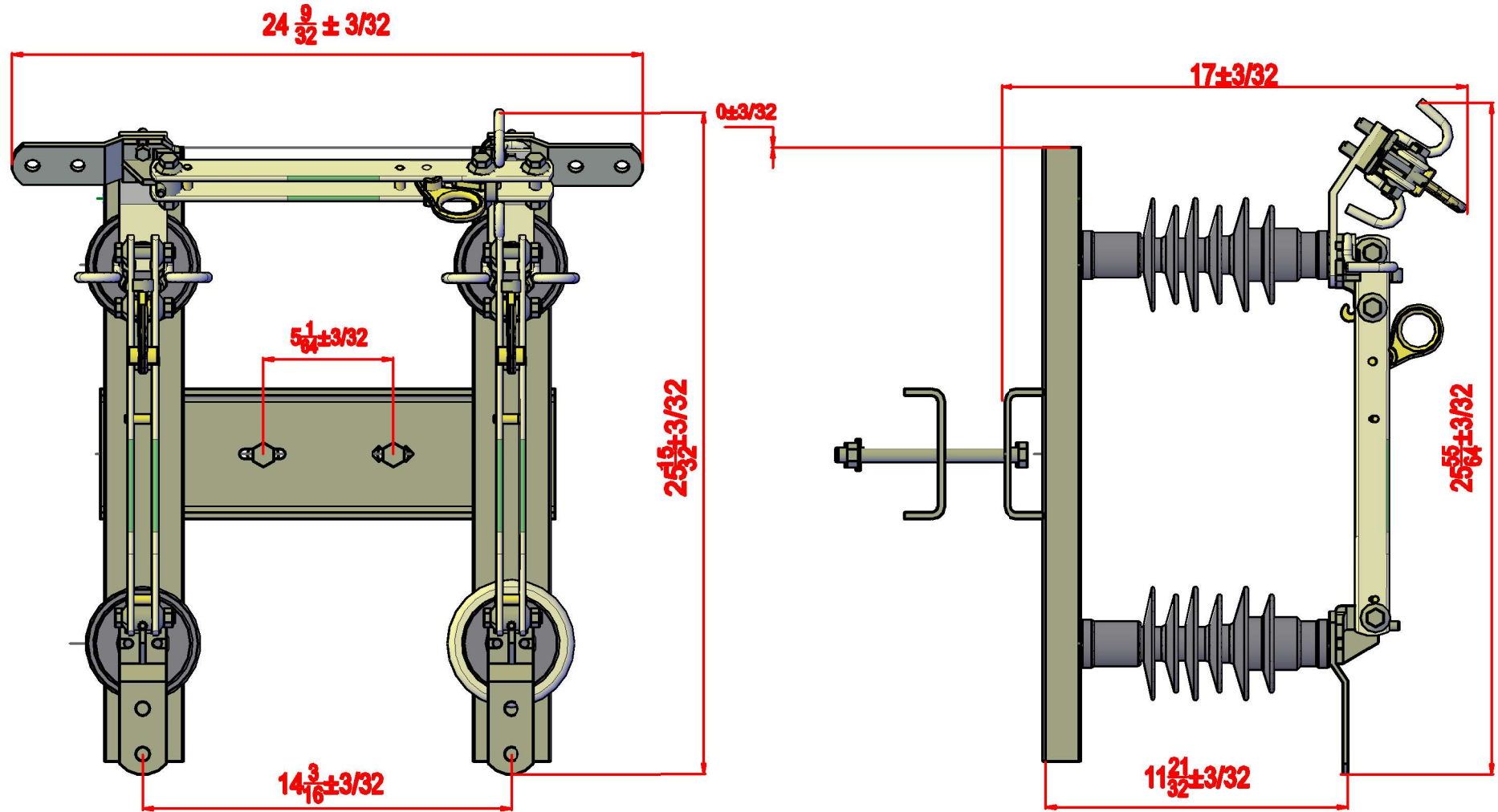



N°	DESCRIPTION	REVISED	DATE



NOTE : * Units are in inches

		BYPASS DISCONNECT SWITCH 27 KV 600 A 125 KV BIL POLYMER INSULATOR	
DRAWING :	J. G. C.	19-NOV-2020	<h2>PKR2-R-27600-1000</h2>
REVISED :	J. C. C	19-NOV-2020	
APPROVAL :	J. G. C.	19-NOV-2020	
Material	N/A		Scale: S/E