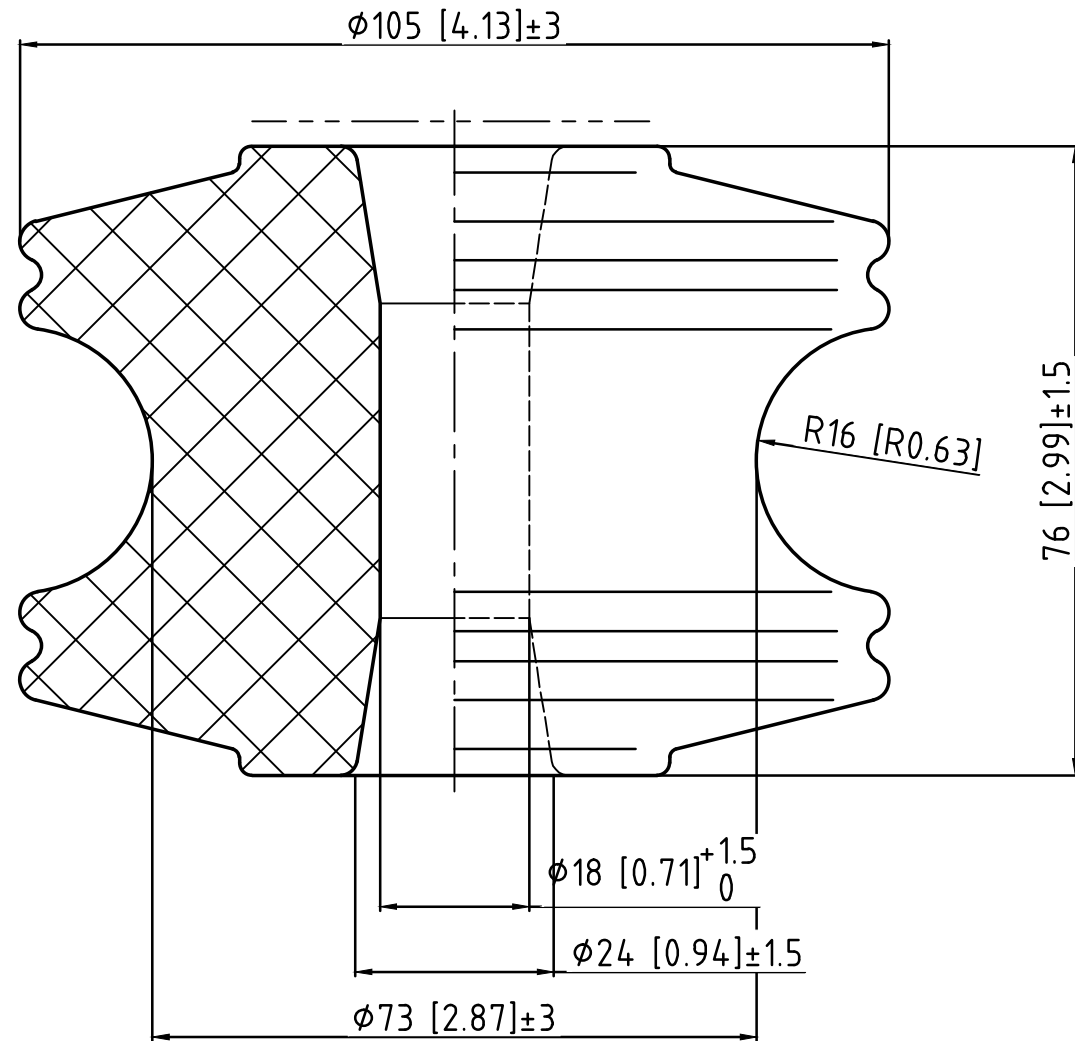


mm [inches]



TECHNICAL DATA

Specification Applied : ANSI C29.3

1. Mechanical values

a. Mechanical failing load , kN

20(4500lbs)

2. Electrical values

a. Power-frequency dry flashover voltage , kV

25

b. Power-frequency wet flashover voltage , kV


Vertical

12

Horizontal

15

3. Color: Grey

	Spool Insulator	Reference	53-4
		VE No.	53-4 SG1
		Rev	0
Weight	2.2 lbs	Vanguard Electric, LLC	
Page 1 of 1			