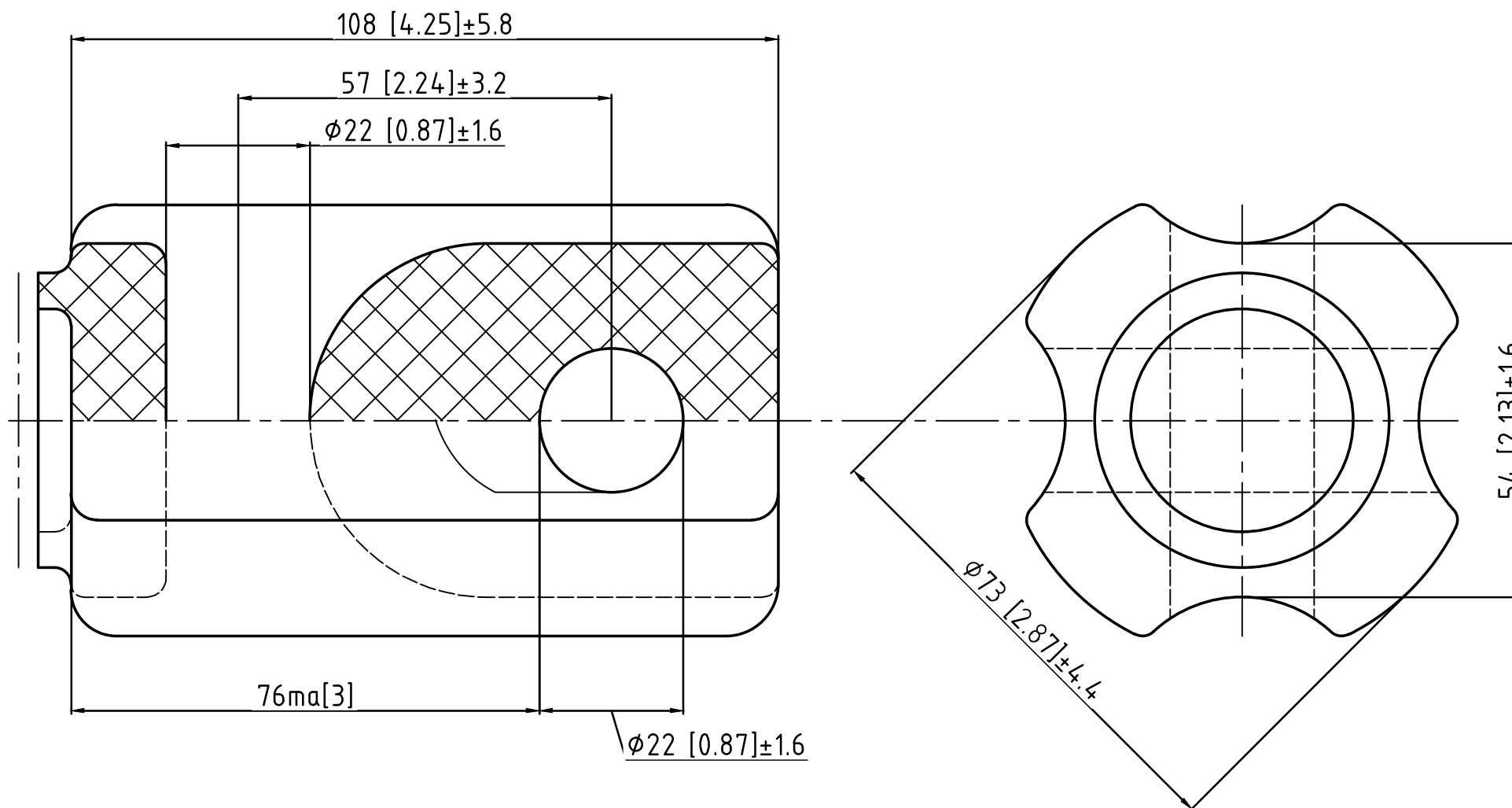



mm [inches]



TECHNICAL REQUIREMENTS

1. Creepage distance: 48mm (1-7/8")
2. Power frequency flashover voltage -Dry: 30kV
3. Power frequency flashover voltage -wet: 15kV
4. Minimum tensile strength: 53 kN (12000lbs)
5. Applicable Standard: ANSI C29.4.
6. Color: Grey

	Stay Insulator	Reference	54-2
		VE No.	54-2 SG1
		Rev	0
Weight	1.7 lbs	Vanguard Electric, LLC	