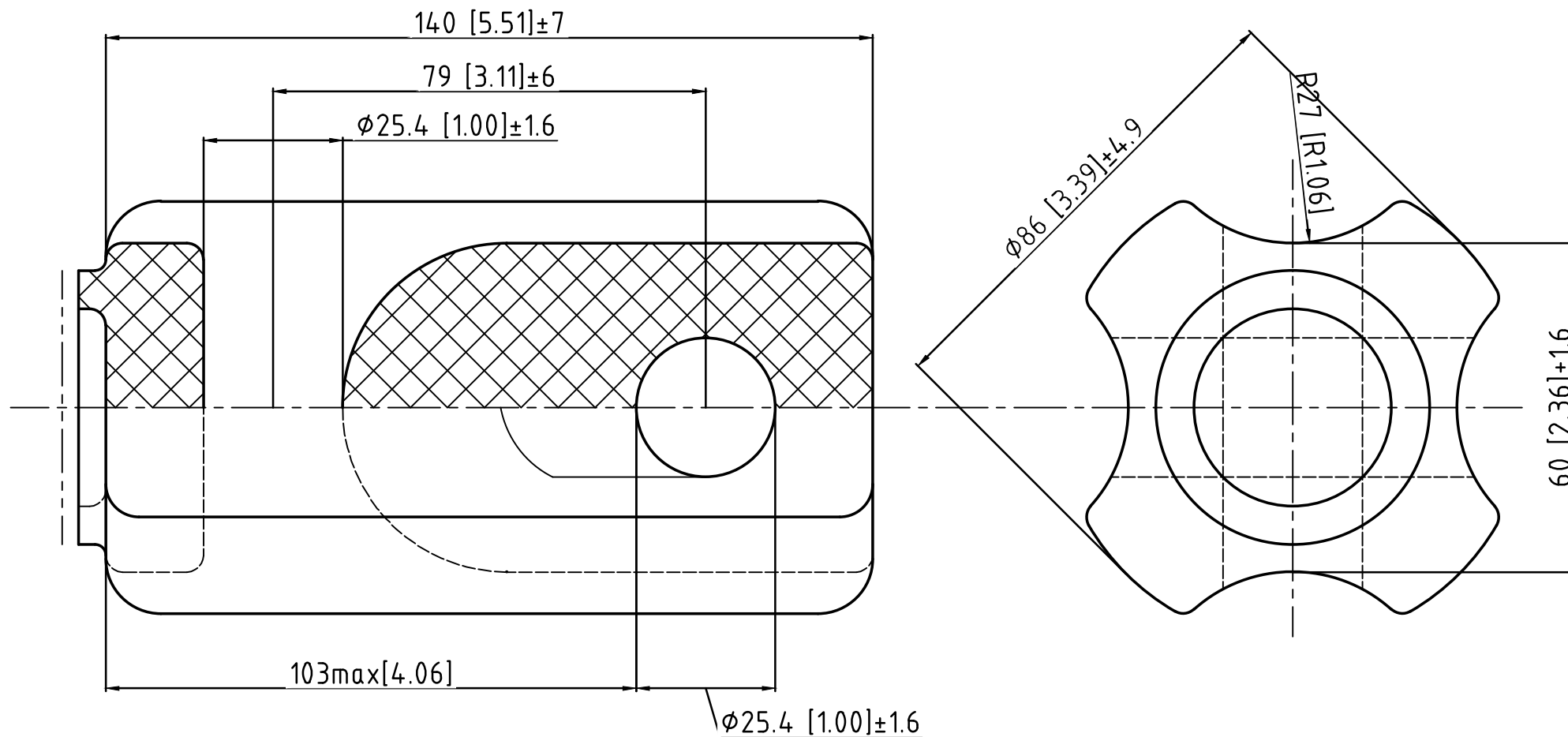



mm [inches]



**TECHNICAL REQUIREMENTS:**

1. Creepage distance: 57.2 mm (2-1/4")
2. Power frequency flashover voltage -Dry: 35kV
3. Power frequency flashover voltage -wet: 18kV
4. Minimum tensile strength: 89kN (20000lbs)
5. Applicable Standard: ANSI C29.4.
6. Color: Grey

	Stay Insulator	Reference	54-3
		VE No.	54-3 SG1
		Rev	0
Weight	2.9 lbs	Vanguard Electric, LLC	
Page 1 of 1			