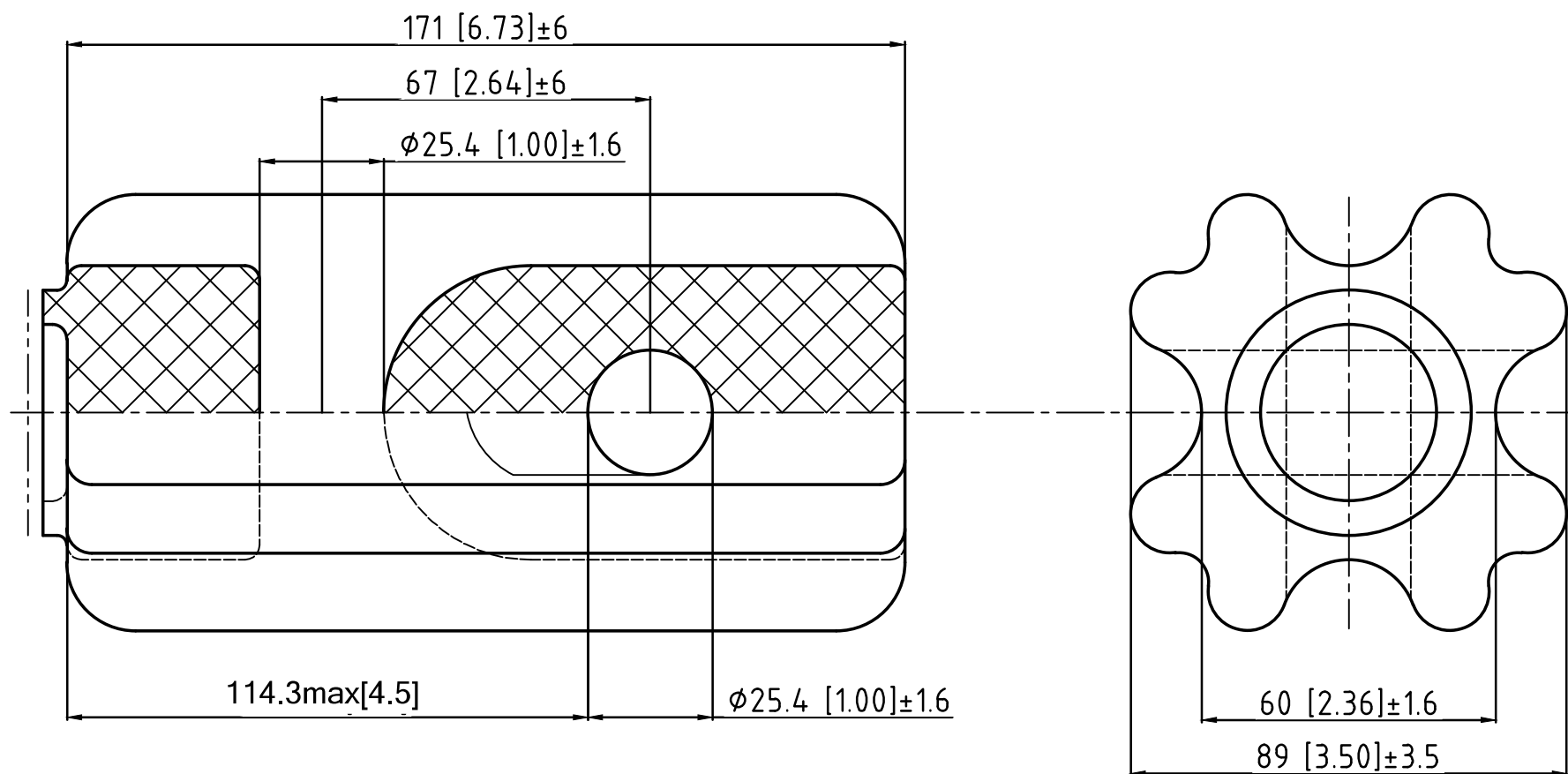



mm [inches]



MAIN DIMENSIONS AND STANDARD PARTICULARS

1. Creepage distance: 76mm (3")
2. Power frequency flashover voltage -Dry: 40kV
3. Power frequency flashover voltage -wet: 23kV
4. Minimum tensile strength: 89kN (20000lbs)
5. Color: Grey

	Stay Insulator	Reference	54-4
		VE No.	54-4 SG1
		Rev	0
		Vanguard Electric,LLC	
Weight	4.9 lbs	Page 1 of 1	