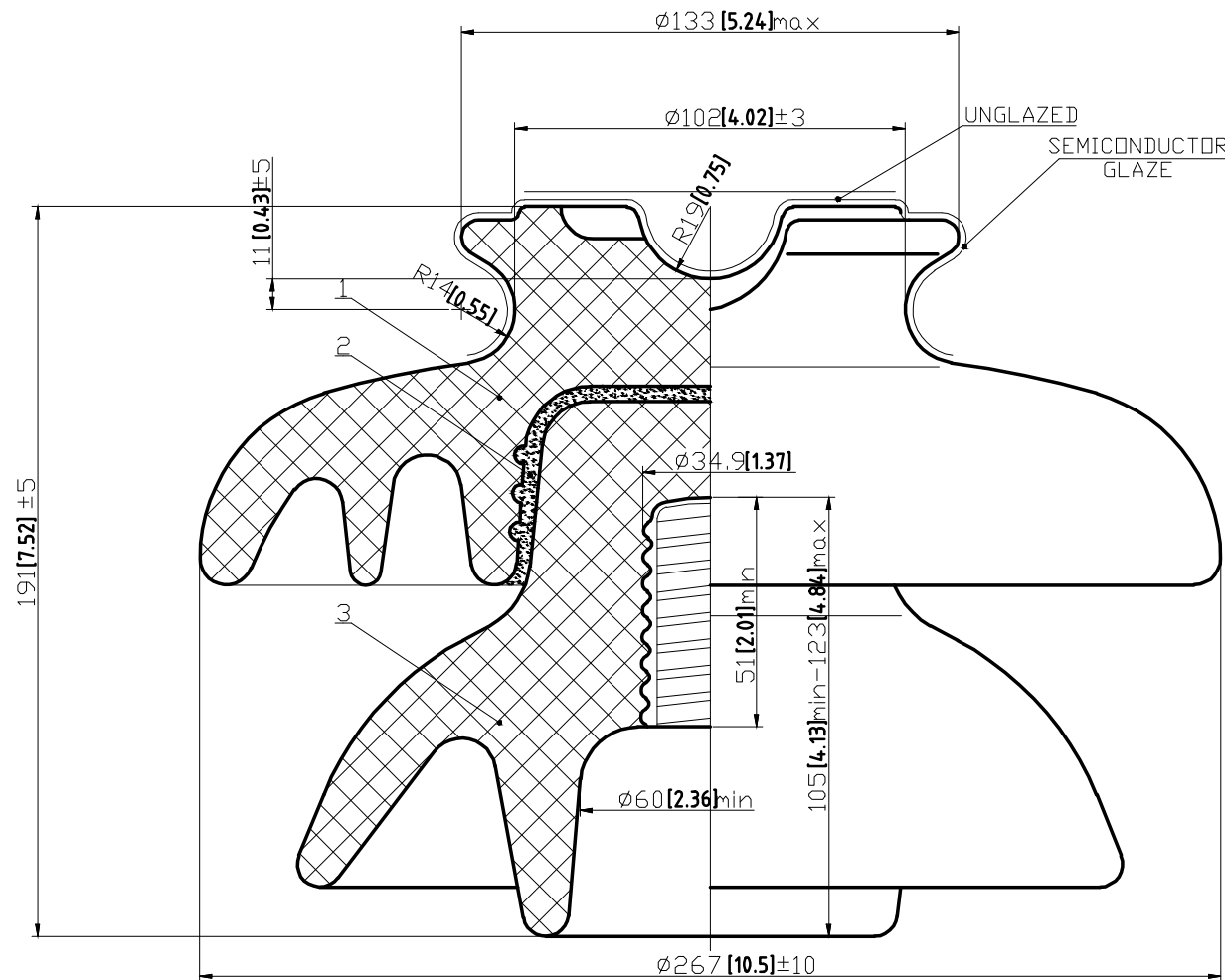



mm [inches]



**TECHNICAL DATA**

Specification Applied : ANSI C29.6

1. Dimensions
  - a. Leakage distance , mm 533(21")
2. Mechanical values
  - a. Cantilever strength, kN 13(3000lbs)
3. Electrical values
  - a. Low-frequency flashover voltage(dry/wet) , kV 125/80
  - b. Critical impulse flashover voltage(pos/neg) , kV 200/265
  - c. Low-frequency puncture voltage , kV 165
4. Radio influence voltage
  - a. Test voltage to ground , kV 30
  - b. Maximum RIV at 1,000kHz ,  $\mu V$  200
5. Color: Gray

3	Shed	1	Siliceous porcelain : C112	
2	Cement		Portland	
1	Shed	1	Siliceous porcelain : C112	
Item	Title/Name	Quantity	Note	
		Pin Insulator	Reference	56-3
			VE No.	5603SG1
			Rev	0
			Vanguard Electric,LLC	
Weight	18.52 lbs	Page 1 of 1		