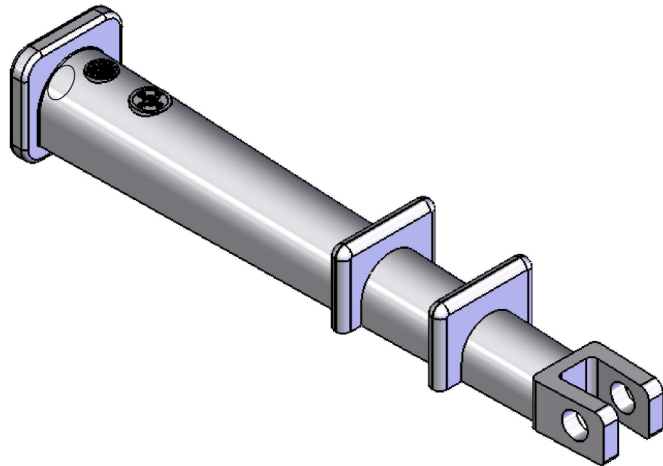
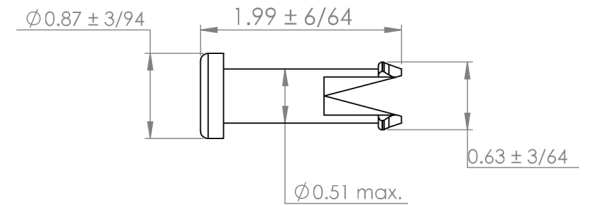
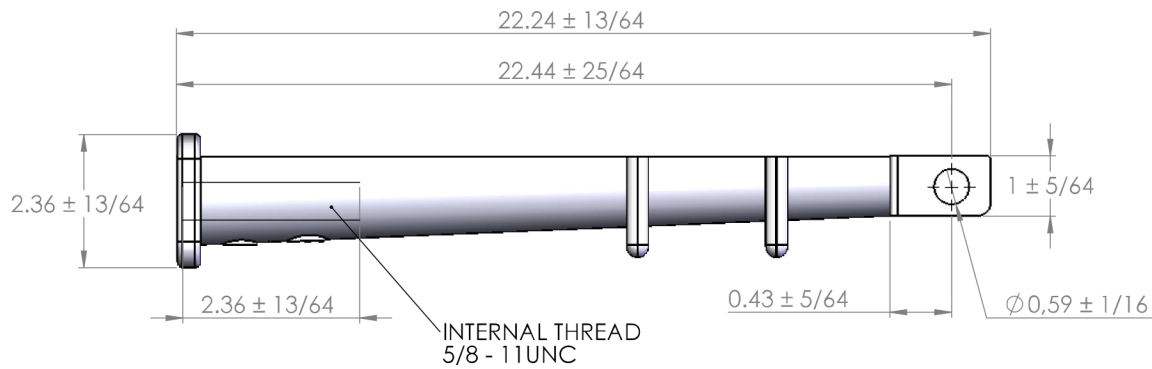


REVIEW INDEX				
N°	NAME	FUNCTION	NOTE	DATE
01	JULIO	PROJECTIST	NONE	26/03/2021



CATALOG	COLOR	Qty per box	WEIGHT per unit
		(un)	
AS35SG4	GRAY	20	0.84lb
AS35SB4	BLACK	20	



PRODUCT:

ANTI-SWAY POLYMERIC ARM 35KV

Material: HDPE

Dimensions: INCHES

Revision: 1

Projectist: PEDRO

Execution date: 20/11/2000

Approval: SN.06/09/21 VALDECIR

UTILIZATION: FIX THE SPACER IN THE POLE TO MINIMIZE THE CABLE SWAY

VANGUARD ELECTRIC, LLC