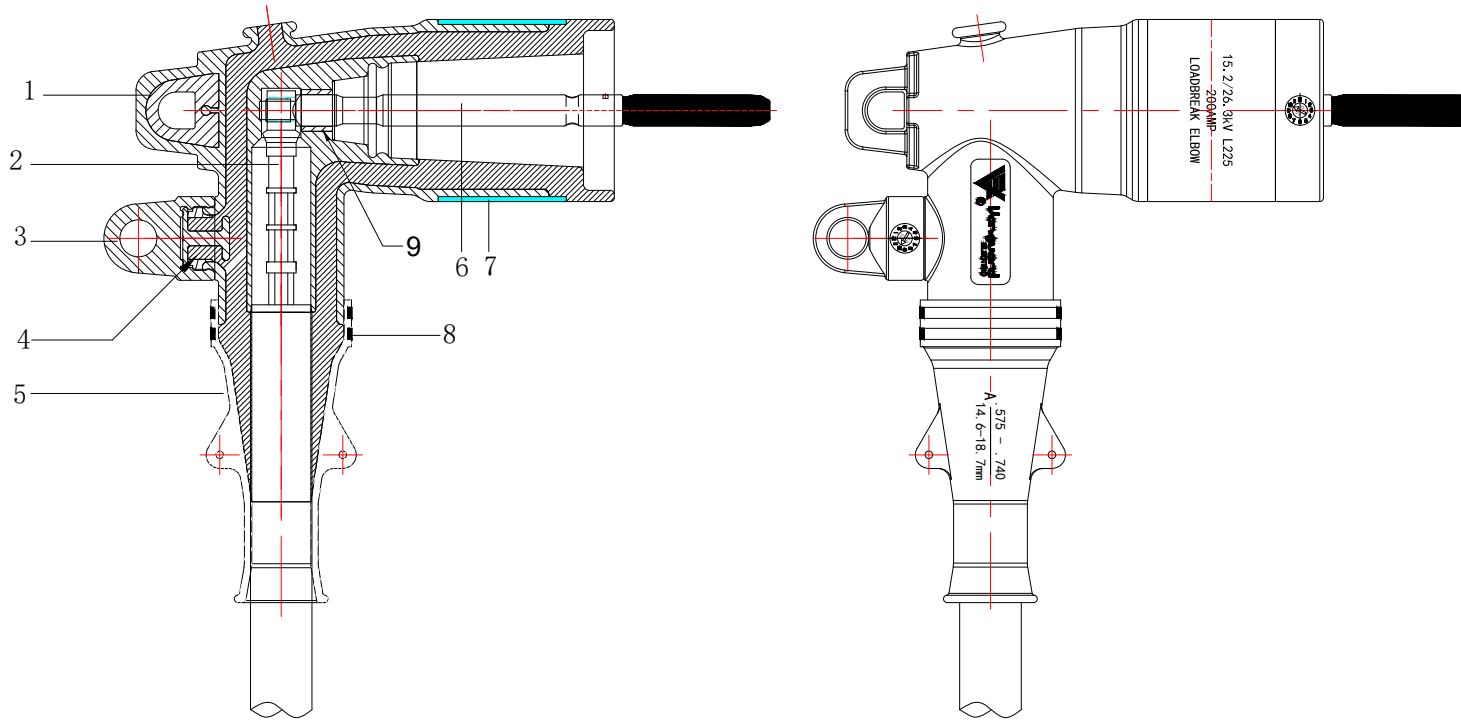


Cable Range Code	Inches	Millimeters
A	0.575-0.740	14.6-18.7
B	0.635-0.905	16.1-22.9
C	0.805-1.060	20.4-26.9
D	0.890-1.220	22.6-30.9
E	1.090-1.310	27.6-33.2

Voltage Ratings	
Voltage Class	25 kV
Max. Rating Phase to Phase	26.3 kV
Max. Rating Phase to Ground	15.2 kV
AC 1 Minute Withstand	40 kV
DC 15 Minute Withstand	78 kV
BIL and Full Wave Crest	125 kV
Minimum Corona Voltage Level	19 kV

Current Ratings	
Description	Test Parameters
Continuous	200 amps rms
Switching	10 operations at 200 amps rms at 26.3 kV
Fault Close	10,000 amps rms symmetrical at 26.3 kV for 0.17 s after 10 consecutive successful switching operations
Short Time	10,000 amps rms symmetrical for 0.17 s 3,500 amps rms symmetrical for 3.0 s



9	Support Ring
8	White marker
7	Blue marker
6	Probe
5	Elbow Connector
4	Test point
3	Test point cap
2	Cable lug
1	Operating ring
No.	Part

Fully meet the requirements of IEEE386-2016

unspecified tolerance		No.	Mark	Modify	Date
>3 - 6	±0.5	item	Signature		Date
>6 -30	±1.0	DWG.			
>30-120	±1.5	CHK.			
>120-400	±2.5	Appro.			
>400-1000	±4.0				



View	Scale	Rev
	1:1	B

25kV/200A Loadbreak Elbow Connector

Material: See table for details

Vanguard Electric, LLC
www.vanguardelec.com