

Voltage Ratings:

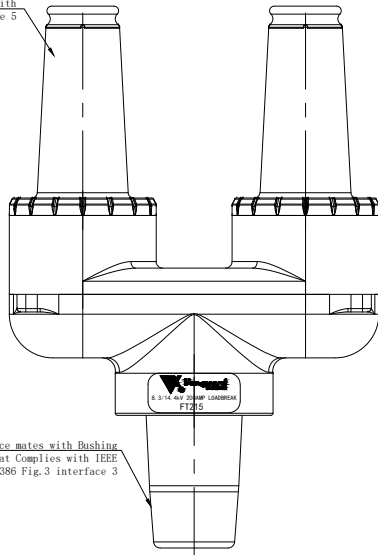
Voltage Class	15kV
Max. Rating Phase to Phase	14.4kV
Max. Rating Phase to Ground	8.3kV
AC 1 Minute Withstand	34kV
DC 15 Minute Withstand	53kV
BIL and Full Wave Crest	95kV
Minimum Corona Voltage Level	11kV

Current Ratings:

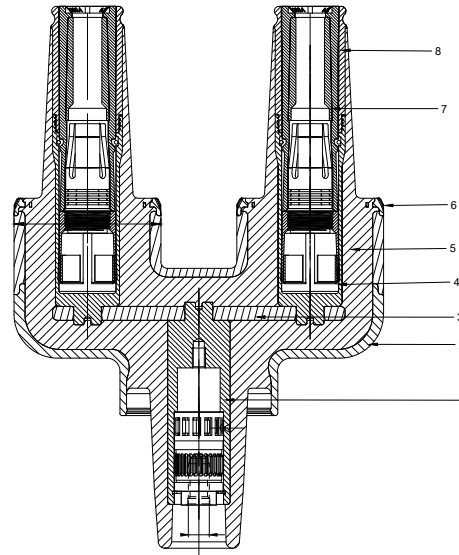
Description	Test Parameters
Continuous	200 amps rms
Switching	10 operations at 200 amps rms at 14.4 kV
Fault Close	10,000 amps rms symmetrical at 14.4kV for 0.17 s after 10 consecutive successful switching operations
Short Time	10,000 amps rms symmetrical for 0.17 s 3,500 amps rms symmetrical for 3.0 s

8	Nylon tube
7	Arc extinguishing tube
6	Yellow marker
5	Insulation
4	Upper copper electrode
3	Copper Bar
2	Semiconducting shield
1	Lower copper electrode
No.	Part

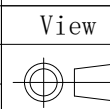
Interface Complies with IEEE Std 386 Fig.5 interface 5



Interface mates with Bushing well that Complies with IEEE Std 386 Fig.3 interface 3



unspecified tolerance					
>3 - 6	±0.5	No.	Mark	Modify	Date
>6 -30	±1.0	item		Signature	Date
>30-120	±1.5	DWG.			
>120-400	±2.5	CHK.			
>400-1000	±4.0	Appro.			



View	Unit	Scale	Rev
	mm	Full	B

15kV/200A Loadbreak Feedthru Bushing Insert

Material: See table for details

Vanguard Electric, LLC
www.vanguardelectric.com